

REFRIGERATION SYSTEM

PLUG N' COOL

Design to address the needs of supermarkets, convenience stores and professional Kitchens. Available for freezers and coolers.



LOWER TOTAL COST
OF OWNERSHIP



QUICK
INSTALLATION



LAYOUT FLEXIBILITY
(MODULARITY)



NATURAL REFRIGERANT
AND LEAKAGE FREE



FAST AND SIMPLE
MAINTENANCE



LOW
NOISE



Discover all that our digital tools can do for your business

embraco
Nidec

TECHNICAL DATA

CONDENSING MODELS	COMMERCIAL DESIGNATION	VOLTAGE/FREQUENCY	MOTOR TYPE	REFRIGERANT	APPLICATION	CAPACITY (W) / EFFICIENCY (W/W)		
						T CABINET (°C)	T AMBIENT (°C)	
							25	32
Air SFMFT413U	¾HP	220V/60Hz	Inverter	R290	Coolers MBP	-5	930,8 W 2,04 W/W*	879,8 W 1,69 W/W*
						0	1000,8 W 2,06 W/W*	919,4 W 1,71 W/W*
						5	1040,7 W 2,08 W/W*	958,6 W 1,73 W/W*
Air SFMFT413U	¾HP	220V/60Hz	Inverter	R290	Freezers LBP	-5	1311 W 1,12 W/W	

Variable speed effect, system conditions

APPLICATIONS



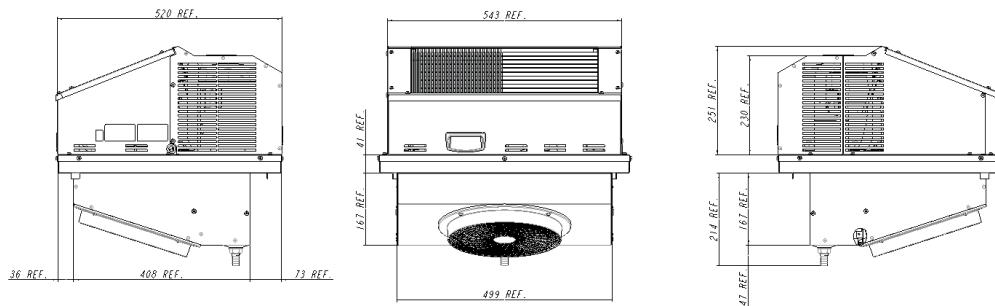
REACH-IN AND VERTICAL DISPLAY-CASES



COLD ROOMS

TECHNICAL DRAWINGS

MBP APPLICATION



LBP APPLICATION

