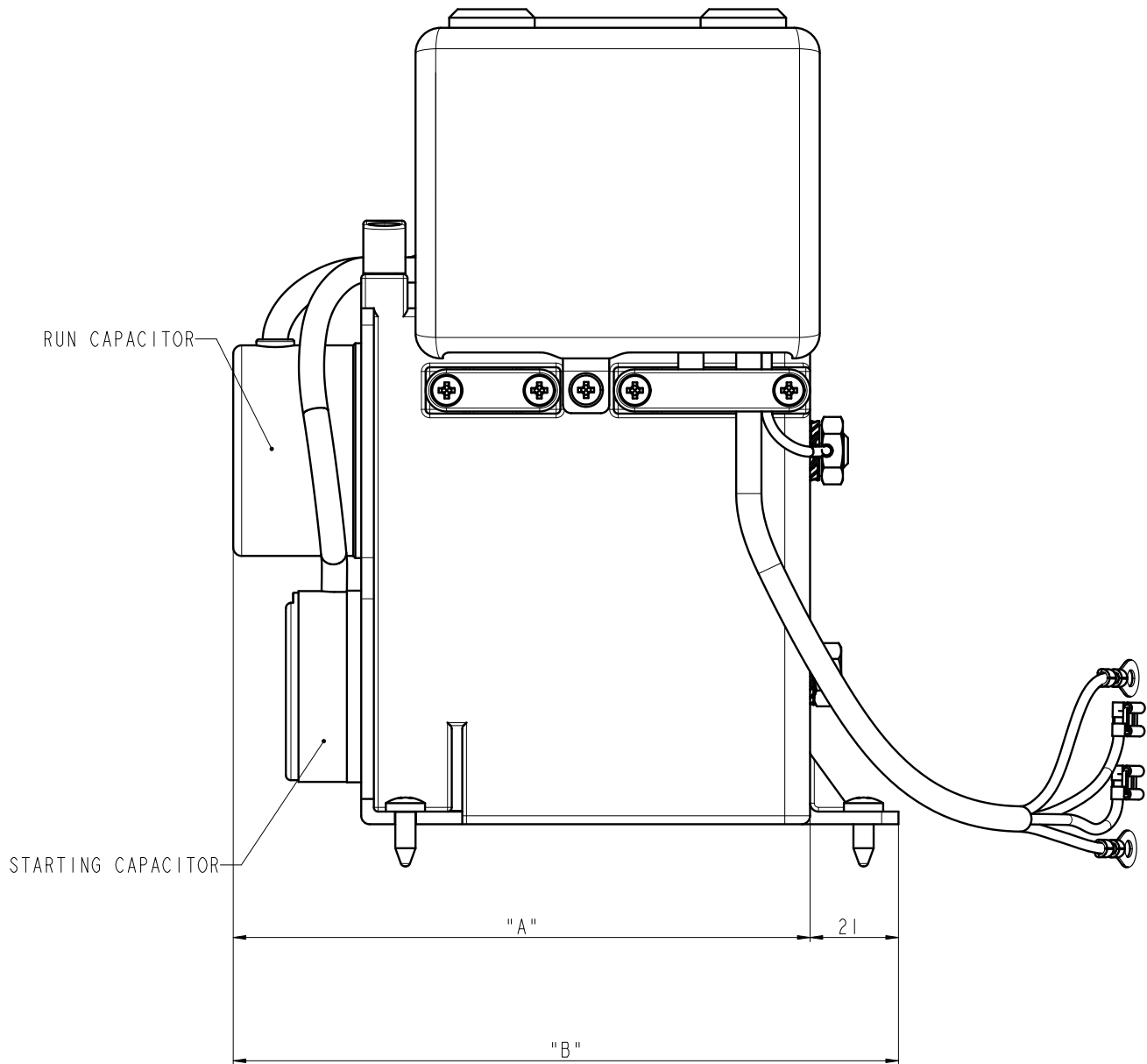


The maximum dimensions of the electrical box and capacitors.



Dimension "A" determines maximal length of run capacitor including free distance for S2 safety protection.\*

Dimension "B" determines maximal dimension of electrical box.

\* Note: Necessary free distance for S2 safety protection opening: e.g. HAOYE: 15 mm, ICAR: 7 mm.

Capacity of run capacitor (μF)	"A" (mm)	"B" (mm)
5	108	129
7	110	131
7,5	108	129
8	110	131
10	125	146
12,5	133	154
15	138	159
17,5	132	153
20	138	159
25	132	153
30	132	153
35	132	153
40	132	153

Dimension "A" is acceptable also for starting capacitors.

In case more detailed data are required or available space is very close to the value, please contact Technical support.