

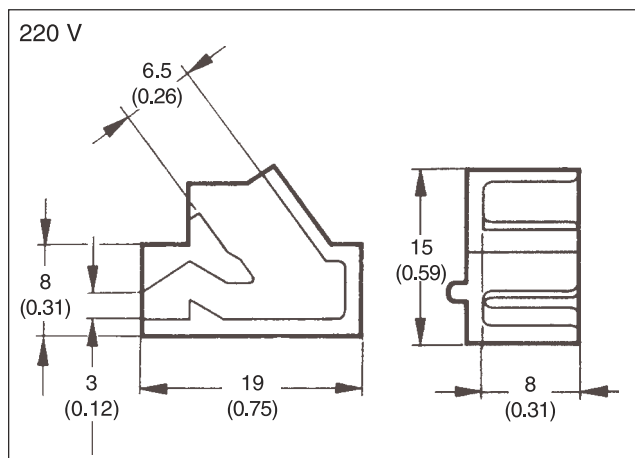
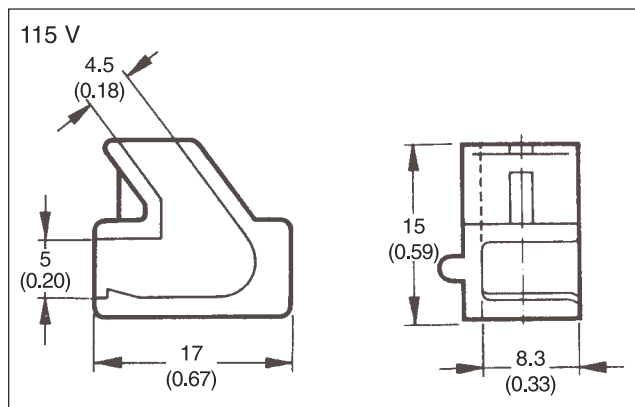
The relay cover supplied with Embraco compressors has a component called cord relief (see drawings below) whose function is to fix the electric wire which conveys energy to the refrigeration system of the compressor.

The use of this component, besides being stated in an electrical safety international standard (IEC 335-1), is obligatory when the refrigeration system does not have an other electric wire fixation capable to withstand the mechanical stress of the mentioned standard.

In cases when this component is not used, it allows the relay terminal cord to release itself quite easily under certain mechanical stress conditions. These situations generally happen when the refrigeration system is moved or when kids, inadvertently, pull the electric wire. In such cases, the danger of an electric shock is high for the users or technicians and the consequences can be fatal.

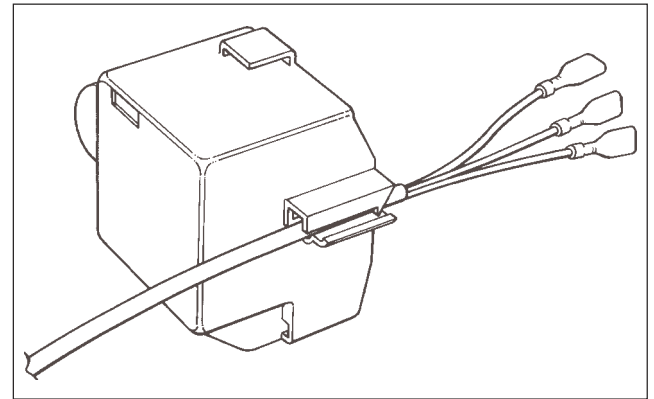
Considering the safety risks to which the user is exposed, Embraco therefore recommends its clients to always use the cord relief.

DRAWINGS OF THE CORD RELIEF

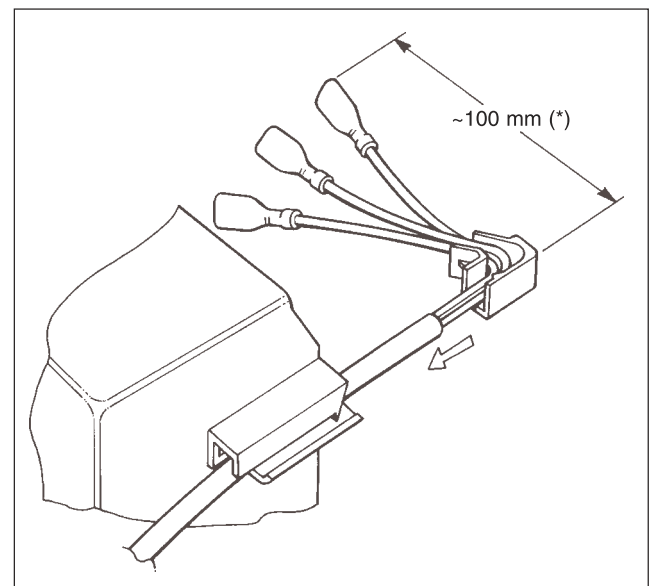


SEQUENCE OF ASSEMBLING THE CORD RELIEF TO THE ELECTRIC WIRE AND RELAY COVER

1 - Assemble the electric wire through the relay cover groove.

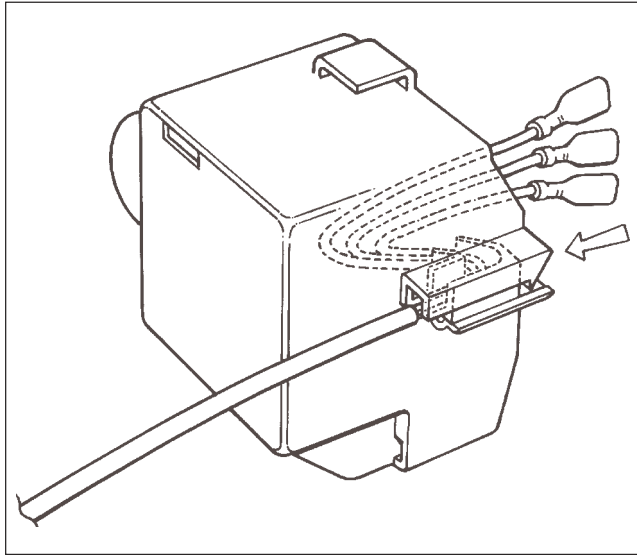


2 - Assemble the cord relief to the electric wire at the **proper place***.

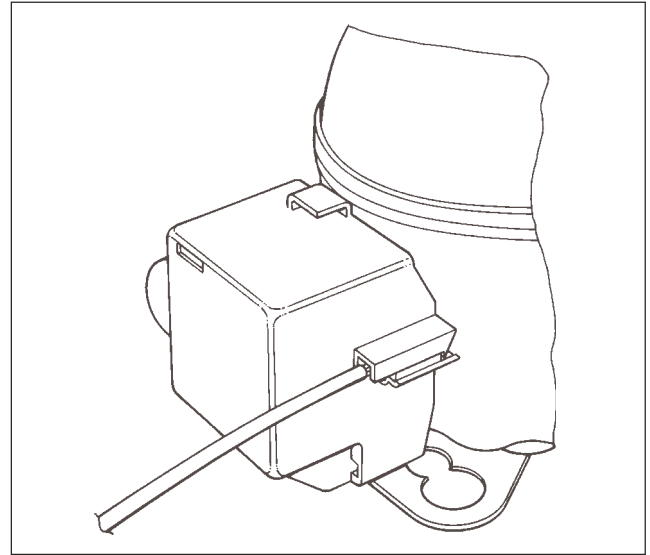


* Proper place means that after assembling the cord relief to the electric wire, a gap will remain between the relay terminals and the cord relief.

3 - Assemble the cord relief (certify that locking is perfect).



5 - Assemble the relay cover to the compressor.



4 - Connect the phase, neutral and earthing wire terminals of the electric wire to the thermal protector, relay and compressor earthing terminal, respectively.

