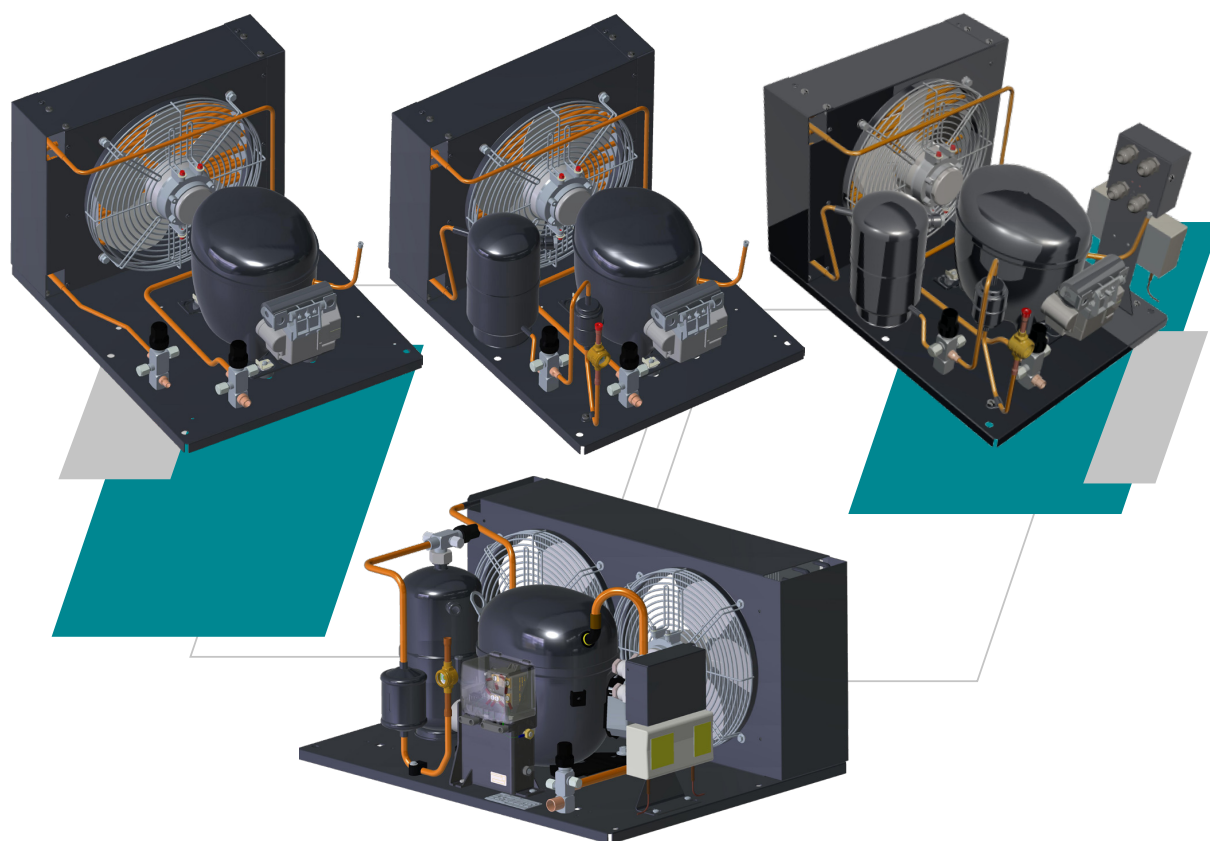


SECOND GENERATION CONDENSING UNITS

FULL CATALOG



www.embraco.com

June, 2021

Version 1

embraco
Nidec

WE ARE NIDEC GLOBAL APPLIANCE

A global partner for home and commercial appliances industries

With over 15,000 employees across 9 countries, Nidec Global Appliance manufactures and commercializes products for home and commercial applications, including refrigeration solutions, motors for washing machines, dryers and dishwashers, as well as components for heating, ventilation and air-conditioning systems (HVAC). The division is part of Nidec Corporation, a global leader in motors and components for a wide variety of industries, with headquarters in Japan.

*The business division manufactures and commercializes **Embraco's cooling systems and compressors for a variety of refrigeration equipment.***



Your **global partner** in refrigeration since 1971



Home Appliances
Products for residential freezers, refrigerators and mini-fridges.

Commercial Appliances
Compressors and cooling solutions for commercial applications, such as bottle coolers, chest freezers, reach-ins, ice machines, medical refrigerators etc.

Aftermarket
Parts distribution, replacement and retail focused on retail owners, installers and contractors

Since 1971, Embraco offers a broad, efficient and competitive portfolio of cooling solutions for home appliances, food service, food retail, merchandisers and special applications. A pioneer brand in fostering the early development of variable speed and the use of natural refrigerants, Embraco continues to deliver innovation that exceeds the market's most challenging demands and anticipates industry trends.

Discover everything our digital tools can do for you



Product Selector

Choose the best solution for your business products.embraco.com/#/



Embraco Toolbox

7 features to facilitate your routine, such as catalog, cross reference and distributor locator.



Refrigeration Club

Exclusive content for the refrigeration market. Keep updated! refrigerationclub.com/



Embraco website

in 11 languages
www.embraco.com

Contents

1	The Second Generation	2
2	Feature Packages	3
3	Product Range	4
4	Nomenclature	7
5	L/MBP R134a Units	9
5.1	Dimensional Data	9
5.2	Capacity Data	11
5.3	Electrical Data	12
6	MBP R134a Units	14
6.1	Dimensional Data	14
6.2	Capacity Data	16
6.3	Electrical Data	18
7	LBP R404A Units	20
7.1	Dimensional Data	20
7.2	Capacity Data	22
7.3	Electrical Data	24
8	MBP R404A Units	26
8.1	Dimensional Data	26
8.2	Capacity Data	28
8.3	Electrical Data	30
9	Ultimate Compact Units	32
9.1	Dimensional Data	32
9.2	Capacity Data	33
9.3	Electrical Data	34
10	Drawings	36
11	Wiring Diagrams	41
12	Spare Parts	47
13	Cross Reference	55



The Second Generation

The Second Generation

Embraco Condensing Units

Same trusted standard you know in our compressors, now available in our high quality, easy to service and efficient second generation of condensing units.

HIGH QUALITY AND DEPENDABILITY

Anti-corrosion painting on coils

Condenser coil protection and end cover

Designed for 110°F ambient temperature

Factory charged nitrogen holding

EASE OF SERVICE

Wiring follows National Electrical Code (NEC)

Standard electrical connections

All units have a terminal block and comply with UL requirements

Components commonly found in the replacement market

Feature Packages

The second generation condensing units are manufactured in 3 different upgrade levels for you to choose: bare, plus and ultimate.

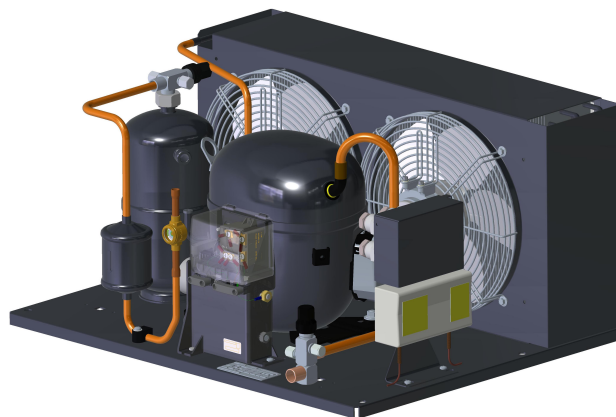
All units are equipped with components commonly found in the replacement market and are compliant with UL requirements.

Version	Bare	Plus	Ultimate
Suction Valve	X	X	X
Liquid Valve	X	X	X
Fan Guard	X	X	X
End Cover	X	X	X
Liquid Receiver		X	X
Sight Glass / Moisture Indicator		X	X
Filter Drier		X	X
Pressure Controls			X
Power Cord ^a	X	X	X
UL Recognized ^b	X	X	X

^a POWER CORD ONLY ON 115-127V UNITS

^b FREQUENCY 60Hz

There is also a low profile option, called "Ultimate Compact", designed for applications with height restrictions.



Product Range

Refrigerant	Application	Version	Voltage/ Frequency	1/10 HP	1/5 HP	1/4 HP	1/3 HP	2/5 HP	1/2 HP	3/5 HP	1 HP	
				0.10 HP	0.20 HP	0.25 HP	0.33 HP	0.40 HP	0.50 HP	0.60 HP	1 HP	
				Compressor Model								
R-134a ^a	LBP ^b	Bare	115V/60Hz	FFU80HAX	FF10HBX	FFU130HAX	FFU160HAX					
			208-230V/60Hz				FFU160HAX					
		Plus	115V/60Hz	FFU80HAX	FF10HBX	FFU130HAX	FFU160HAX					
			208-230V/60Hz				FFU160HAX					
		Ultimate	115V/60Hz				FFU160HAX					
			208-230V/60Hz				FFU160HAX					
	MBP ^c	Bare	115V/60Hz	FFU80HAX	FF10HBX	FFU130HAX	FFU160HAX					
			208-230V/60Hz				FFU160HAX					
		Plus	115V/60Hz	FFU80HAX	FF10HBX	FFU130HAX	FFU160HAX	NEU6212Z	NEU6214Z	NT6220Z	NTU6224ZV	
			208-230V/60Hz				FFU160HAX	NEU6212Z	NEU6214Z	NT6220Z	NTU6224ZV	
		Ultimate	115V/60Hz				FFU160HAX	NEU6212Z	NEU6214Z	NT6220Z	NTU6224ZV	
			208-230V/60Hz				FFU160HAX	NEU6212Z	NEU6214Z	NT6220Z	NTU6224ZV	

^a Performance on R-513A under request.

^b Low back pressure.

^c Medium back pressure.

Table 3.1: R-134a Units

Refrigerant	Application	Version	Voltage/ Frequency	1/5 HP	1/3 HP	3/5 HP	3/4 HP	7/8 HP	1 HP	1 1/4 HP
				0.20 HP	0.33 HP	0.60 HP	0.75 HP	0.90 HP	1 HP	1.25 HP
				Compressor Model						
R-404A ^a	LBP ^b	Bare	115V/60Hz	NEK2121GK						
			208-230V/60Hz							
		Plus	115V/60Hz	NEK2121GK	NEU2140GK	NEU2168GK	NEU2178GK	NT2180GK	NT2192GK	
			208-230V/60Hz		NEU2140GK	NEU2168GK	NEU2178GK	NT2180GK	NT2192GK	NT2212GK
		Ultimate	115V/60Hz	NEK2121GK	NEU2140GK	NEU2168GK	NEU2178GK	NT2180GK	NT2192GK	
			208-230V/60Hz		NEU2140GK	NEU2168GK	NEU2178GK	NT2180GK	NT2192GK	NT2212GK

^a Performance on R-448A and R449A under request.

^b Low back pressure.

Table 3.2: LBP R-404A Units

Refrigerant	Application	Version	Voltage/ Frequency	Compressor Model															
				1/4 HP 0.25 HP	1/3 HP 0.33 HP	2/5 HP 0.40 HP	1/2 HP 0.50 HP	3/5 HP 0.60 HP	5/8 HP 0.65 HP	3/4 HP 0.75 HP	1 HP 1 HP	1 1/4 HP 1.25 HP	1 2/5 HP 1.40 HP						
R-404A ^a	MBP ^b	Bare	115V/60Hz	NEU6181GK / NEU6152GK	NEU6210GK	NEU6212GK	NEU6214GK												
			208-230V/60Hz																
		Plus	115V/60Hz	NEU6181GK	NEU6210GK	NEU6212GK	NEU6214GK	NEU6215GK	NT6220GK	NT6222GK	NTU6232GK								
			208-230V/60Hz					NEU6215GK	NT6220GK	NT6222GK	NTU6232GK								
	Ultimate	115V/60Hz		NEU6210GK	NEU6212GK	NEU6214GK	NEU6215GK	NT6220GK	NT6222GK	NTU6232GK									
		208-230V/60Hz																	
	Ultimate Compact	115V/60Hz				NT6220GK													
		208-230V/60Hz				NT6220GK												NTU6240GK	

^a Performance on R-448A and R449A under request.

^b Medium back pressure.

Table 3.3: MBP R-404A Units

Nomenclature

U	NE	0150	L	G	D	A	1	1	A
Use	Family	HP	App.	Refrig.	Input voltage	Condenser	Mechanical Component	Electrical Component	Version
U - Indoor	EM	Example	L - LBP	G - R404A	B - 220V/1/50-60Hz	A - Finned condenser	0 - No components	0 - No components	
	FF	0150 : 1.50 HP	M - MBP	Z - R134a	D - 208-230V/1/60Hz	W - Water cooled	1 - Version	2 - Version	
	NE	0025 : 0.25 HP	X - L/MBP	U - R290	E - 115 -127V/1/60Hz		2 - Version	3 - Version	
	NT				G - 115V/1/60Hz		3 - Version		
	NJ						9 - Customized		

Mechanical Component	Electrical Component	Cond. Unit Version
1	1	Bare
2	1	Plus
2	2	Ultimate
3	2	Ultimate Compact
9	9	Customized

L/MBP R134a Units



L/MBP R134a Units

5.1 Dimensional Data

- Application: L/MBP
- Refrigerant: R134a

HP	Voltage / Frequency	Compressor Model	Cond. Unit Model	Version		Length		Width		Height		Weight	
						(in)	(mm)	(in)	(mm)	(in)	(mm)	(lbs)	(kg)
1/10	115 -127V/1/60Hz	FFU80HAX	UFF0010XZE	-A11A	Bare	18.8	477	11.4	290	10	254	42.2	19.2
				-A21A	Plus	18.8	477	11.4	290	10	254	43.6	19.8
1/5	115V/1/60Hz	FF10HBX	UFF0020XZG	-A11A	Bare	18.8	477	11.4	290	10	254	42.2	19.2
				-A21A	Plus	18.8	477	11.4	290	10	254	43.6	19.8
1/4	115 -127V/1/60Hz	FFU130HAX	UFF0025XZE	-A11A	Bare	18.8	477	11.4	290	10	254	42.2	19.2
				-A21A	Plus	18.8	477	11.4	290	10	254	43.6	19.8
1/3	115 -127V/1/60Hz	FFU160HAX	UFF0033XZE	-A11A	Bare	18.6	473	15.2	385	12	305	44.9	20.4
				-A21A	Plus	18.6	473	15.2	385	12	305	46.2	21.0
				-A22A	Ultimate	18.6	473	15.2	385	12	305	48.6	22.1
	208-230V/1/60Hz	FFU160HAX	UFF0033XZD	-A11A	Bare	18.6	473	15.2	385	12	305	44.9	20.4
				-A21A	Plus	18.6	473	15.2	385	12	305	46.2	21.0
				-A22A	Ultimate	18.6	473	15.2	385	12	305	48.6	22.1

- Application: L/MBP
- Refrigerant: R134a

HP	Voltage / Frequency	Compressor Model	Cond. Unit Model	Version		SKU	UL File Number	Line Connections			
								Suction		Liquid	
								(in)	(mm)	(in)	(mm)
1/10	115 -127V/1/60Hz	FFU80HAX	UFF0010XZE	-A11A	Bare	515302003	SA11666	3/8"	9.5	1/4"	6.4
				-A21A	Plus	515302004	SA11666	3/8"	9.5	1/4"	6.4
1/5	115V/1/60Hz	FF10HBX	UFF0020XZG	-A11A	Bare	515302007	SA11666	3/8"	9.5	1/4"	6.4
				-A21A	Plus	515302160	SA11666	3/8"	9.5	1/4"	6.4
1/4	115 -127V/1/60Hz	FFU130HAX	UFF0025XZE	-A11A	Bare	515302013	SA11666	3/8"	9.5	1/4"	6.4
				-A21A	Plus	515302014	SA11666	3/8"	9.5	1/4"	6.4
1/3	115 -127V/1/60Hz	FFU160HAX	UFF0033XZE	-A11A	Bare	515302015	SA11666	3/8"	9.5	1/4"	6.4
				-A21A	Plus	515302018	SA11666	3/8"	9.5	1/4"	6.4
				-A22A	Ultimate	515302019	SA11666	3/8"	9.5	1/4"	6.4
	208-230V/1/60Hz	FFU160HAX	UFF0033XZD	-A11A	Bare	515302020	SA11666	3/8"	9.5	1/4"	6.4
				-A21A	Plus	515302023	SA11666	3/8"	9.5	1/4"	6.4
				-A22A	Ultimate	515302024	SA11666	3/8"	9.5	1/4"	6.4

5.2 Capacity Data

- Application: L/MBP
- Refrigerant: R134a

HP	Voltage / Frequency	Compressor Model	Cond. Unit Model	Version	Ambient Temperature °F (°C)	Capacity (Btu/h) / Evap Temp °F (°C) ^a						
						-30°F (-34°C)	-20°F (-29°C)	-10°F (-23°C)	-5°F (-20°C)	0°F (-18°C)	10°F (-12°C)	20°F (-6°C)
1/10	115-127V 60Hz	FFU80HAX	UFF0010XZE	Bare & Plus	80°F (27°C)				1,077	1,235	1,616	2,078
					90°F (32°C)	471	655	871	990	1,113	1,394	1,713
					100°F (38°C)	409	576	775	885	999	1,262	1,565
					110°F (43°C)	366	521	706	810	917	1,167	1,455
1/5	115V 60Hz	FF10HBX	UFF0020XZG	Bare & Plus	80°F (27°C)			996	1,161	1,335	1,744	2,217
					90°F (32°C)	485	690	934	1,069	1,207	1,518	1,856
					100°F (38°C)	422	611	838	963	1,092	1,382	1,697
					110°F (43°C)	373	550	762	880	1,001	1,273	1,568
1/4	115-127V 60Hz	FFU130HAX	UFF0025XZE	Bare & Plus	80°F (27°C)		935	1,264	1,461	1,674	2,197	2,829
					90°F (32°C)	676	913	1,227	1,412	1,606	2,046	2,499
					100°F (38°C)	609	837	1,129	1,298	1,473	1,864	2,262
					110°F (43°C)	540	755	1,030	1,186	1,348	1,706	2,065
1/3	115-127V 60Hz	FFU160HAX	UFF0033XZE	Bare, Plus & Ultimate	80°F (27°C)	981	1,284	1,653	1,862	2,081	2,589	3,167
					90°F (32°C)	910	1,198	1,549	1,749	1,957	2,440	2,989
					100°F (38°C)	821	1,091	1,421	1,608	1,804	2,257	2,771
					110°F (43°C)	745	999	1,311	1,488	1,672	2,101	2,586
	208-230V 60Hz	FFU160HAX	UFF0033XZD	Bare, Plus & Ultimate	80°F (27°C)	945	1,237	1,618	1,844	2,086	2,664	3,320
					90°F (32°C)	910	1,202	1,573	1,789	2,018	2,555	3,151
					100°F (38°C)	837	1,121	1,477	1,682	1,896	2,388	2,923
					110°F (43°C)	760	1,035	1,376	1,571	1,773	2,233	2,726

^a Subcooling 2.8°C/5°F , Return gas temperature 4.4°C/40°F.

*R513A performance can be provided under request.

**UF units envelope: Max Tcond 60°C/140°F (steady state condition)

5.3 Electrical Data

- Application: L/MBP
- Refrigerant: R134a

Condensing Unit Model	Version	Voltage / Frequency	Compressor LRA	Compressor RLA	Fan Motor FLA	Cond. Unit MCA	Cond. Unit Max. Fuse	Wiring Diagram Reference
UFF0010XZE	Bare & Plus	115 -127V/1/60Hz	30.5	4.00	0.53	5.50	10	15350250
UFF0020XZG	Bare & Plus	115V/1/60Hz	35.0	5.70	0.53	7.70	15	15350250
UFF0025XZE	Bare & Plus	115 -127V/1/60Hz	40.3	3.40	0.53	4.80	10	15350250
UFF0033XZD	Bare & Plus	208-230V/1/60Hz	19.0	3.90	0.40	5.30	10	15350250
UFF0033XZE	Bare & Plus	115 -127V/1/60Hz	44.5	8.10	0.80	10.90	20	15350250
UFF0033XZD	Ultimate	208-230V/1/60Hz	19.0	3.90	0.40	5.30	10	15350249
UFF0033XZE	Ultimate	115 -127V/1/60Hz	44.5	8.10	0.80	10.90	20	15350249

MBP R134a Units



MBP R134a Units

6.1 Dimensional Data

- Application: MBP
- Refrigerant: R134a

HP	Voltage / Frequency	Compressor Model	Cond. Unit Model	Version		Length		Width		Height		Weight	
						(in)	(mm)	(in)	(mm)	(in)	(mm)	(lbs)	(kg)
2/5	115 -127V/1/60Hz	NEU6212Z	UNE0045MZE	-A21A	Plus	21.7	550	14.8	376.4	11.9	302	46.2	21.0
				-A22A	Ultimate	21.7	550	14.8	376.4	11.9	302	48.6	22.1
	220V/50-60Hz	NEU6212Z	UNE0045MZB	-A21A	Plus	21.7	550	14.8	376.4	11.9	302	46.2	21.0
				-A22A	Ultimate	21.7	550	14.8	376.4	11.9	302	48.6	22.1
1/2	115 -127V/1/60Hz	NEU6214Z	UNE0050MZE	-A21A	Plus	21.7	550	14.8	376.4	11.9	302	46.2	21.0
				-A22A	Ultimate	21.7	550	14.8	376.4	11.9	302	48.6	22.1
	208-230V/1/60Hz	NEU6214Z	UNE0050MZD	-A21A	Plus	21.7	550	14.8	376.4	11.9	302	46.2	21.0
				-A22A	Ultimate	21.7	550	14.8	376.4	11.9	302	46.2	21.0
3/5	115V/1/60Hz	NT6220Z	UNT0060MZG	-A21A	Plus	21.7	550	14.8	376.4	11.8	299	56.5	25.7
				-A22A	Ultimate	21.7	550	14.8	376.4	11.8	299	59.0	26.8
	208-230V/1/60Hz	NT6220Z	UNT0060MZD	-A21A	Plus	21.7	550	14.8	376.4	11.8	299	56.5	25.7
				-A22A	Ultimate	21.7	550	14.8	376.4	11.8	299	59.0	26.8
1	115V/1/60Hz	NTU6224ZV	UNT0100MZG	-A21A	Plus	24.0	610	18.4	468.2	16.9	430	69.7	31.7
				-A22A	Ultimate	24.0	610	18.4	468.2	16.9	430	72.2	32.8
	208-230V/1/60Hz	NTU6224ZV	UNT0100MZD	-A21A	Plus	24.0	610	18.4	468.2	16.9	430	66.9	30.4
				-A22A	Ultimate	24.0	610	18.4	468.2	16.9	430	66.9	30.4

- Application: MBP
- Refrigerant: R134a

HP	Voltage / Frequency	Compressor Model	Cond. Unit Model	Version		SKU	UL File Number	Line Connections			
								Suction		Liquid	
								(in)	(mm)	(in)	(mm)
2/5	115 -127V/1/60Hz	NEU6212Z	UNE0045MZE	-A21A	Plus	668GEN601AA	SA33081	1/2"	12.7	3/8"	9.5
				-A22A	Ultimate	668GEN601DA	SA33081	1/2"	12.7	3/8"	9.5
	220V/50-60Hz	NEU6212Z	UNE0045MZB	-A21A	Plus	668GBN601AA	SA33081	1/2"	12.7	3/8"	9.5
				-A22A	Ultimate	668GBN601DA	SA33081	1/2"	12.7	3/8"	9.5
1/2	115 -127V/1/60Hz	NEU6214Z	UNE0050MZE	-A21A	Plus	668NEN610AA	SA33081	1/2"	12.7	3/8"	9.5
				-A22A	Ultimate	668NEN610DA	SA33081	1/2"	12.7	3/8"	9.5
	208-230V/1/60Hz	NEU6214Z	UNE0050MZD	-A21A	Plus	668NDN604AA	SA33081	1/2"	12.7	3/8"	9.5
				-A22A	Ultimate	668NDN604DA	SA33081	1/2"	12.7	3/8"	9.5
3/5	115V/1/60Hz	NT6220Z	UNT0060MZG	-A21A	Plus	603CGN610AA	SA33081	1/2"	12.7	3/8"	9.5
				-A22A	Ultimate	603CGN610DA	SA33081	1/2"	12.7	3/8"	9.5
	208-230V/1/60Hz	NT6220Z	UNT0060MZD	-A21A	Plus	603CDN601AA	SA33081	1/2"	12.7	3/8"	9.5
				-A22A	Ultimate	603CDN601DA	SA33081	1/2"	12.7	3/8"	9.5
1	115V/1/60Hz	NTU6224ZV	UNT0100MZG	-A21A	Plus	604BGN610AA	SA33081	5/8"	15.9	3/8"	9.5
				-A22A	Ultimate	604BGN610DA	SA33081	5/8"	15.9	3/8"	9.5
	208-230V/1/60Hz	NTU6224ZV	UNT0100MZD	-A21A	Plus	604BDN604AA	SA33081	5/8"	15.9	3/8"	9.5
				-A22A	Ultimate	604BDN604DA	SA33081	5/8"	15.9	3/8"	9.5

6.2 Capacity Data

- Application: MBP
- Refrigerant: R134a

HP	Voltage / Frequency	Compressor Model	Cond. Unit Model	Version	Ambient Temperature °F (°C)	Capacity (Btu/h) / Evap Temp °F (°C) ^a					
						5°F (-15°C)	10°F (-12°C)	20°F (-6°C)	30°F (-1°C)	40°F (4.4°C)	50°F (10°C)
2/5	115-127V 60Hz	NEU6212Z	UNE0045MZE	Plus & Ultimate	80°F (27°C)	2,585	2,915	3,640	4,473	5,370	6,341
					90°F (32°C)	2,448	2,760	3,443	4,229	5,075	5,990
					100°F (38°C)	2,285	2,574	3,208	3,936	4,720	5,567
					110°F (43°C)	2,155	2,424	3,016	3,696	4,428	
	208-230V 60Hz	NEU6212Z	UNE0045MZB	Plus & Ultimate	80°F (27°C)	2,576	2,895	3,596	4,405	5,281	6,232
					90°F (32°C)	2,424	2,725	3,390	4,158	4,990	5,894
					100°F (38°C)	2,241	2,523	3,145	3,865	4,646	5,496
					110°F (43°C)	2,092	2,358	2,945	3,627	4,367	
1/2	115-127V 60Hz	NEU6214Z	UNE0050MZE	Plus & Ultimate	80°F (27°C)	2,897	3,261	4,055	4,961	5,924	6,946
					90°F (32°C)	2,732	3,078	3,834	4,695	5,609	6,576
					100°F (38°C)	2,532	2,859	3,572	4,383	5,243	
					110°F (43°C)	2,372	2,684	3,363	4,137		
	208-230V 60Hz	NEU6214Z	UNE0050MZD	Plus & Ultimate	80°F (27°C)	2,852	3,212	3,980	4,834	5,732	6,690
					90°F (32°C)	2,693	3,031	3,753	4,557	5,400	6,299
					100°F (38°C)	2,495	2,807	3,473	4,212	4,986	
					110°F (43°C)	2,323	2,612	3,227	3,911	4,626	
3/5	115V 60Hz	NT6220Z	UNT0060MZG	Plus & Ultimate	80°F (27°C)	3,716	4,162	5,132	6,232	7,393	8,616
					90°F (32°C)	3,483	3,902	4,814	5,849	6,943	8,098
					100°F (38°C)	3,198	3,586	4,432	5,395	6,413	
					110°F (43°C)	2,960	3,324	4,118	5,023		
	208-230V 60Hz	NT6220Z	UNT0060MZD	Plus & Ultimate	80°F (27°C)	3,790	4,223	5,161	6,227	7,357	8,556
					90°F (32°C)	3,518	3,930	4,826	5,845	6,928	8,079
					100°F (38°C)	3,213	3,604	4,456	5,430	6,468	
					110°F (43°C)	2,988	3,364	4,189	5,134		

^a Subcooling 2.8°C/5°F , Return gas temperature 18.3°C/65°F.

*R513A performance can be provided under request.

**UN units envelope: Max Tcond 55°C/130°F (steady state condition)

- Application: MBP
- Refrigerant: R134a

HP	Voltage / Frequency	Compressor Model	Cond. Unit Model	Version	Ambient Temperature °F (°C)	Capacity (Btu/h) / Evap Temp °F (°C) ^a					
						5°F (-15°C)	10°F (-12°C)	20°F (-6°C)	30°F (-1°C)	40°F (4.4°C)	50°F (10°C)
1	115V 60Hz	NTU6224ZV	UNT0100MZG	Plus & Ultimate	80°F (27°C)	5,661	6,468	8,217	10,192	12,268	14,443
					90°F (32°C)	5,260	6,031	7,699	9,577	11,542	13,588
					100°F (38°C)	4,780	5,509	7,084	8,853	10,695	12,601
					110°F (43°C)	4,399	5,094	6,598	8,283	10,032	11,831
	208-230V 60Hz	NTU6224ZV	UNT0100MZD	Plus & Ultimate	80°F (27°C)	5,662	6,433	8,108	10,034	12,145	14,522
					90°F (32°C)	5,315	6,050	7,640	9,457	11,435	13,647
					100°F (38°C)	4,886	5,576	7,061	8,747	10,567	12,584
					110°F (43°C)	4,520	5,171	6,567	8,142	9,831	11,689

^a Subcooling 2.8°C/5°F , Return gas temperature 18.3°C/65°F.

*R513A performance can be provided under request.

**UN units envelope: Max Tcond 55°C/130°F (steady state condition)

6.3 Electrical Data

- Application: MBP
- Refrigerant: R134a

Condensing Unit Model	Version	Voltage / Frequency	Compressor		Fan Motor FLA	Cond. Unit MCA	Cond. Unit Max. Fuse	Wiring Diagram Reference
			LRA	RLA				
UNE0045MZB	Plus	208-230V/1/60Hz	26.0	3.56	0.40	4.90	10	2196098
UNE0045MZE	Plus	115-127V/1/60Hz	43.0	8.04	0.80	10.90	20	2196097
UNE0045MZB	Ultimate	208-230V/1/60Hz	26.0	3.56	0.40	4.90	10	2196103
UNE0045MZE	Ultimate	115-127V/1/60Hz	43.0	8.04	0.80	10.90	20	2196101
UNE0050MZD	Plus	208-230V/1/60Hz	30.0	5.65	0.40	7.50	15	2196100
UNE0050MZE	Plus	115-127V/1/60Hz	50.0	10.01	0.80	13.30	25	2196099
UNE0050MZD	Ultimate	208-230V/1/60Hz	30.0	5.65	0.40	7.50	15	2196104
UNE0050MZE	Ultimate	115-127V/1/60Hz	50.0	10.01	0.80	13.30	25	2196102
UNTO060MZD	Plus	208-230V/1/60Hz	54.5	11.00	0.40	14.20	25	2196098
UNTO060MZG	Plus	115V/1/60Hz	33.7	8.50	0.80	11.40	20	2196099
UNTO060MZD	Ultimate	208-230V/1/60Hz	54.5	11.00	0.40	14.20	25	2196103
UNTO060MZG	Ultimate	115V/1/60Hz	33.7	8.50	0.80	11.40	20	2196102
UNTO100MZD	Plus	208-230V/1/60Hz	46.0	8.00	0.40	10.40	20	2196100
UNTO100MZG	Plus	115V/1/60Hz	78.0	13.60	0.81	17.80	30	2196099
UNTO100MZD	Ultimate	208-230V/1/60Hz	46.0	8.00	0.40	10.40	20	2196104
UNTO100MZG	Ultimate	115V/1/60Hz	78.0	13.60	0.81	17.80	30	2196102

A woman with curly hair and glasses, wearing a denim jacket over a light-colored sweater, is looking into an open refrigerator in a grocery store. She is holding the door handle with her left hand and reaching into the refrigerator with her right hand. The refrigerator is filled with various items, including a large bag of green produce. The scene is brightly lit, and the overall color palette is dominated by teal and white. A white callout box is overlaid on the left side of the image, containing the text 'LBP R404A Units'.

LBP R404A Units

LBP R404A Units

7.1 Dimensional Data

- Application: LBP
- Refrigerant: R404A

HP	Voltage / Frequency	Compressor Model	Cond. Unit Model	Version		Length		Width		Height		Weight	
						(in)	(mm)	(in)	(mm)	(in)	(mm)	(lbs)	(kg)
1/5	115V/1/60Hz	NEK2121GK	UNE0020LGG	-A11A	Bare	17.7	450	11.7	296.2	10.2	259	40.3	18.3
				-A21A	Plus	17.7	450	11.7	296.2	10.2	259	41.6	18.9
				-A22A	Ultimate	17.7	450	11.7	296.2	10.2	259	44.0	20.0
1/3	115 -127V/1/60Hz	NEU2140GK	UNE0033LGE	-A21A	Plus	17.7	450	11.7	296.2	10.2	259	43.6	19.8
				-A22A	Ultimate	17.7	450	11.7	296.2	10.2	259	46.0	20.9
	220V/50-60Hz	NEU2140GK	UNE0033LGB	-A21A	Plus	17.7	450	11.7	296.2	10.2	259	43.6	19.8
				-A22A	Ultimate	17.7	450	11.7	296.2	10.2	259	46.0	20.9
3/5	115 -127V/1/60Hz	NEU2168GK	UNE0060LGE	-A21A	Plus	21.7	550	14.8	376.4	11.8	299	48.2	21.9
				-A22A	Ultimate	21.7	550	14.8	376.4	11.8	299	50.6	23.0
	208-230V/1/60Hz	NEU2168GK	UNE0060LGD	-A21A	Plus	21.7	550	14.8	376.4	11.8	299	48.2	21.9
				-A22A	Ultimate	21.7	550	14.8	376.4	11.8	299	50.6	23.0
3/4	115 -127V/1/60Hz	NEU2178GK	UNE0075LGE	-A21A	Plus	21.7	550	14.8	376.4	11.8	299	48.2	21.9
				-A22A	Ultimate	21.7	550	14.8	376.4	11.8	299	50.6	23.0
	208-230V/1/60Hz	NEU2178GK	UNE0075LGD	-A21A	Plus	21.7	550	14.8	376.4	11.8	299	48.2	21.9
				-A22A	Ultimate	21.7	550	14.8	376.4	11.8	299	50.6	23.0
7/8	115 -127V/1/60Hz	NT2180GK	UNT0090LGE	-A21A	Plus	21.7	550	14.8	376.4	12.8	324	69.7	31.7
				-A22A	Ultimate	21.7	550	14.8	376.4	12.8	324	72.2	32.8
	208-230V/1/60Hz	NT2180GK	UNT0090LGD	-A21A	Plus	21.7	550	14.8	376.4	12.8	324	69.7	31.7
				-A22A	Ultimate	21.7	550	14.8	376.4	12.8	324	72.2	32.8
1	115V/1/60Hz	NT2192GK	UNT0100LGG	-A21A	Plus	21.7	550	14.8	376.4	12.8	324	69.7	31.7
				-A22A	Ultimate	21.7	550	14.8	376.4	12.8	324	72.2	32.8
	208-230V/1/60Hz	NT2192GK	UNT0100LGD	-A21A	Plus	21.7	550	14.8	376.4	12.8	324	69.7	31.7
				-A22A	Ultimate	21.7	550	14.8	376.4	12.8	324	69.7	31.7
1 1/4	208-230V/1/60Hz	NT2212GK	UNT0125LGD	-A21A	Plus	21.7	550	14.8	376.4	12.8	324	76.8	34.9
				-A22A	Ultimate	21.7	550	14.8	376.4	12.8	324	79.2	36.0

- Application: LBP
- Refrigerant: R404A

HP	Voltage / Frequency	Compressor Model	Cond. Unit Model	Version		SKU	UL File Number	Line Connections			
								Suction		Liquid	
								(in)	(mm)	(in)	(mm)
1/5	115V/1/60Hz	NEK2121GK	UNE0020LGG	-A11A	Bare	657DGM501AA	SA33081	3/8"	9.5	1/4"	6.4
				-A21A	Plus	657DGN601AA	SA33081	3/8"	9.5	1/4"	6.4
				-A22A	Ultimate	657DGN601DA	SA33081	3/8"	9.5	1/4"	6.4
1/3	115 -127V/1/60Hz	NEU2140GK	UNE0033LGE	-A21A	Plus	568JEN601AA	SA33081	3/8"	9.5	1/4"	6.4
				-A22A	Ultimate	568JEN601DA	SA33081	3/8"	9.5	1/4"	6.4
	220V/50-60Hz	NEU2140GK	UNE0033LGB	-A21A	Plus	568JBN601AA	SA33081	3/8"	9.5	1/4"	6.4
				-A22A	Ultimate	568JBN601DA	SA33081	3/8"	9.5	1/4"	6.4
3/5	115 -127V/1/60Hz	NEU2168GK	UNE0060LGE	-A21A	Plus	569MEN610AA	SA33081	1/2"	12.7	3/8"	9.5
				-A22A	Ultimate	569MEN610DA	SA33081	1/2"	12.7	3/8"	9.5
	208-230V/1/60Hz	NEU2168GK	UNE0060LGD	-A21A	Plus	569MDN604AA	SA33081	1/2"	12.7	3/8"	9.5
				-A22A	Ultimate	569MDN604DA	SA33081	1/2"	12.7	3/8"	9.5
3/4	115 -127V/1/60Hz	NEU2178GK	UNE0075LGE	-A21A	Plus	569OEN610AA	SA33081	1/2"	12.7	3/8"	9.5
				-A22A	Ultimate	569OEN610DA	SA33081	1/2"	12.7	3/8"	9.5
	208-230V/1/60Hz	NEU2178GK	UNE0075LGD	-A21A	Plus	569ODN604AA	SA33081	1/2"	12.7	3/8"	9.5
				-A22A	Ultimate	569ODN604DA	SA33081	1/2"	12.7	3/8"	9.5
7/8	115 -127V/1/60Hz	NT2180GK	UNT0090LGE	-A21A	Plus	503HGN610AA	SA33081	1/2"	12.7	3/8"	9.5
				-A22A	Ultimate	503HGN610DA	SA33081	1/2"	12.7	3/8"	9.5
	208-230V/1/60Hz	NT2180GK	UNT0090LGD	-A21A	Plus	503HDN604AA	SA33081	1/2"	12.7	3/8"	9.5
				-A22A	Ultimate	503HDN604DA	SA33081	1/2"	12.7	3/8"	9.5
1	115V/1/60Hz	NT2192GK	UNT0100LGG	-A21A	Plus	503EGN610AA	SA33081	1/2"	12.7	3/8"	9.5
				-A22A	Ultimate	503EGN610DA	SA33081	1/2"	12.7	3/8"	9.5
	208-230V/1/60Hz	NT2192GK	UNT0100LGD	-A21A	Plus	503EDN604AA	SA33081	1/2"	12.7	3/8"	9.5
				-A22A	Ultimate	503EDN604DA	SA33081	1/2"	12.7	3/8"	9.5
1 1/4	208-230V/1/60Hz	NT2212GK	UNT0125LGD	-A21A	Plus	505DDN604AA	SA33081	1/2"	12.7	3/8"	9.5
				-A22A	Ultimate	505DDN604DA	SA33081	1/2"	12.7	3/8"	9.5

7.2 Capacity Data

- Application: LBP
- Refrigerant: R404A

HP	Voltage / Frequency	Compressor Model	Cond. Unit Model	Version	Ambient Temperature °F (°C)	Capacity (Btu/h) / Evap Temp °F (°C) ^a						
						-40°F (-40°C)	-30°F (-34°C)	-20°F (-29°C)	-10°F (-23°C)	-5°F (-20°C)	0°F (-18°C)	10°F (-12°C)
1/5	115V 60Hz	NEK2121GK	UNE0020LGG	Bare, Plus & Ultimate	80°F (27°C)	619	801	1,021	1,287	1,430	1,586	1,917
					90°F (32°C)	566	731	933	1,178	1,309	1,453	1,759
					100°F (38°C)	503	651	831	1,052	1,170	1,300	1,578
					110°F (43°C)	451	585	749	950	1,059	1,178	1,433
1/3	115-127V 60Hz	NEU2140GK	UNE0033LGE	Plus & Ultimate	80°F (27°C)	837	1,110	1,430	1,805	2,002	2,214	2,659
					90°F (32°C)	758	1,012	1,309	1,658	1,841	2,038	2,449
					100°F (38°C)	662	892	1,163	1,480	1,645	1,824	2,195
					110°F (43°C)	581	792	1,040	1,331	1,482	1,645	1,982
	208-230V 60Hz	NEU2140GK	UNE0033LGB	Plus & Ultimate	80°F (27°C)	894	1,184	1,525	1,923	2,130	2,351	2,807
					90°F (32°C)	811	1,079	1,393	1,759	1,949	2,153	2,570
					100°F (38°C)	709	951	1,235	1,565	1,736	1,919	2,293
					110°F (43°C)	623	844	1,104	1,405	1,561	1,728	2,066
3/5	115-127V 60Hz	NEU2168GK	UNE0060LGE	Plus & Ultimate	80°F (27°C)	1,343	1,782	2,308	2,937	3,270	3,632	4,393
					90°F (32°C)	1,225	1,631	2,119	2,701	3,009	3,344	4,046
					100°F (38°C)	1,081	1,449	1,892	2,420	2,700	3,003	3,636
					110°F (43°C)	961	1,299	1,705	2,189	2,445	2,723	3,300
	208-230V 60Hz	NEU2168GK	UNE0060LGD	Plus & Ultimate	80°F (27°C)	1,458	1,906	2,450	3,107	3,456	3,834	4,620
					90°F (32°C)	1,335	1,753	2,259	2,866	3,186	3,532	4,246
					100°F (38°C)	1,175	1,558	2,018	2,566	2,853	3,163	3,796
					110°F (43°C)	1,042	1,393	1,816	2,318	2,579	2,860	3,430
3/4	115-127V 60Hz	NEU2178GK	UNE0075LGE	Plus & Ultimate	80°F (27°C)	1,530	2,025	2,611	3,303	3,665	4,057	4,873
					90°F (32°C)	1,395	1,855	2,398	3,039	3,374	3,735	4,486
					100°F (38°C)	1,233	1,650	2,144	2,724	3,027	3,353	4,028
					110°F (43°C)	1,101	1,484	1,936	2,467	2,743	3,041	3,652
	208-230V 60Hz	NEU2178GK	UNE0075LGD	Plus & Ultimate	80°F (27°C)	1,428	2,005	2,682	3,452	3,839	4,242	5,022
					90°F (32°C)	1,373	1,908	2,524	3,216	3,560	3,916	4,601
					100°F (38°C)	1,248	1,725	2,266	2,866	3,161	3,466	4,045
					110°F (43°C)	1,112	1,537	2,016	2,541	2,798	3,061	3,559

^a Subcooling 2.8°C/5°F , Return gas temperature 4.4°C/40°F.

*R448A, R449A performance can be provided under request.

**UN units envelope: Max Tcond 55°C/130°F (steady state condition)

- Application: LBP
- Refrigerant: R404A

HP	Voltage / Frequency	Compressor Model	Cond. Unit Model	Version	Ambient Temperature °F (°C)	Capacity (Btu/h) / Evap Temp °F (°C) ^a						
						-40°F (-40°C)	-30°F (-34°C)	-20°F (-29°C)	-10°F (-23°C)	-5°F (-20°C)	0°F (-18°C)	10°F (-12°C)
7/8	115-127V 60Hz	NT2180GK	UNT0090LGE	Plus & Ultimate	80°F (27°C)	1,765	2,430	3,201	4,093	4,552	5,043	6,048
					90°F (32°C)	1,572	2,190	2,904	3,723	4,143	4,590	5,499
					100°F (38°C)	1,339	1,897	2,541	3,274	3,647	4,043	4,840
					110°F (43°C)	1,155	1,664	2,248	2,910	3,245	3,598	4,305
	208-230V 60Hz	NT2180GK	UNT0090LGD	Plus & Ultimate	80°F (27°C)	1,805	2,431	3,165	4,026	4,476	4,960	5,959
					90°F (32°C)	1,576	2,170	2,859	3,654	4,064	4,502	5,390
					100°F (38°C)	1,301	1,855	2,491	3,214	3,581	3,967	4,737
					110°F (43°C)	1,090	1,613	2,208	2,876	3,211	3,559	4,237
1	115V 60Hz	NT2192GK	UNT0100LGG	Plus & Ultimate	80°F (27°C)	1,757	2,467	3,273	4,186	4,651	5,146	6,162
					90°F (32°C)	1,603	2,242	2,973	3,804	4,229	4,683	5,616
					100°F (38°C)	1,438	1,988	2,623	3,349	3,722	4,121	4,945
					110°F (43°C)	1,314	1,789	2,339	2,973	3,301	3,652	4,379
	208-230V 60Hz	NT2192GK	UNT0100LGD	Plus & Ultimate	80°F (27°C)	1,983	2,607	3,351	4,226	4,681	5,168	6,155
					90°F (32°C)	1,768	2,350	3,039	3,845	4,262	4,706	5,600
					100°F (38°C)	1,512	2,045	2,674	3,405	3,781	4,178	4,971
					110°F (43°C)	1,311	1,806	2,390	3,064	3,408	3,771	4,486
1 1/4	208-230V 60Hz	NT2212GK	UNT0125LGD	Plus & Ultimate	80°F (27°C)	2,401	3,185	4,070	5,073	5,585	6,129	7,233
					90°F (32°C)	2,102	2,840	3,673	4,614	5,092	5,597	6,616
					100°F (38°C)	1,774	2,458	3,231	4,099	4,537	4,997	5,914
					110°F (43°C)	1,542	2,183	2,908	3,717	4,122	4,545	5,372

^a Subcooling 2.8°C/5°F , Return gas temperature 4.4°C/40°F.

*R448A, R449A performance can be provided under request.

**UN units envelope: Max Tcond 55°C/130°F (steady state condition)

7.3 Electrical Data

- Application: LBP
- Refrigerant: R404A

Condensing Unit Model	Version	Voltage / Frequency	Compressor LRA	Compressor RLA	Fan Motor FLA	Cond. Unit MCA	Cond. Unit Max. Fuse	Wiring Diagram Reference
UNE0020LGG	Bare & Plus	115V/1/60Hz	27.0	4.17	0.53	5.70	10	2196097
UNE0020LGG	Ultimate	115V/1/60Hz	27.0	4.17	0.53	5.70	10	2196101
UNE0033LGB	Plus	208-230V/1/60Hz	18.0	2.80	0.27	3.80	10	2196098
UNE0033LGE	Plus	115-127V/1/60Hz	30.0	5.39	0.53	7.30	15	2196097
UNE0033LGB	Ultimate	208-230V/1/60Hz	18.0	2.80	0.27	3.80	10	2196103
UNE0033LGE	Ultimate	115-127V/1/60Hz	30.0	5.39	0.53	7.30	15	2196101
UNE0060LGD	Plus	208-230V/1/60Hz	29.0	4.20	0.40	5.70	10	2196100
UNE0060LGE	Plus	115-127V/1/60Hz	49.0	7.50	0.80	10.20	20	2196099
UNE0060LGD	Ultimate	208-230V/1/60Hz	29.0	4.20	0.40	5.70	10	2196104
UNE0060LGE	Ultimate	115-127V/1/60Hz	49.0	7.50	0.80	10.20	20	2196102
UNE0075LGD	Plus	208-230V/1/60Hz	29.0	4.70	0.40	6.30	10	2196100
UNE0075LGE	Plus	115-127V/1/60Hz	53.0	9.30	0.80	12.40	20	2196099
UNE0075LGD	Ultimate	208-230V/1/60Hz	29.0	4.70	0.40	6.30	10	2196104
UNE0075LGE	Ultimate	115-127V/1/60Hz	53.0	9.30	0.80	12.40	20	2196102
UNT0090LGD	Plus	208-230V/1/60Hz	40.0	6.00	0.40	7.90	15	2196100
UNT0090LGE	Plus	115-127V/1/60Hz	66.0	13.00	0.80	17.10	30	2196099
UNT0090LGD	Ultimate	208-230V/1/60Hz	40.0	6.00	0.40	7.90	15	2196104
UNT0090LGE	Ultimate	115-127V/1/60Hz	66.0	13.00	0.80	17.10	30	2196102
UNT0100LGD	Plus	208-230V/1/60Hz	40.0	6.00	0.40	7.90	15	2196100
UNT0100LGG	Plus	115V/1/60Hz	56.0	15.00	0.80	19.60	35	2196099
UNT0100LGD	Ultimate	208-230V/1/60Hz	40.0	6.00	0.40	7.90	15	2196104
UNT0100LGG	Ultimate	115V/1/60Hz	56.0	15.00	0.80	19.60	35	2196102
UNT0125LGD	Plus	208-230V/1/60Hz	45.0	8.00	0.40	10.40	20	2196100
UNT0125LGD	Ultimate	208-230V/1/60Hz	45.0	8.00	0.40	10.40	20	2196104

MBP R404A Units



MBP R404A Units

8.1 Dimensional Data

- Application: MBP
- Refrigerant: R404A

HP	Voltage / Frequency	Compressor Model	Cond. Unit Model	Version		Length		Width		Height		Weight	
						(in)	(mm)	(in)	(mm)	(in)	(mm)	(lbs)	(kg)
1/4	115 -127V/1/60Hz	NEU6181GK	UNE0025MGE	-A11A	Bare	21.7	550	14.8	376.4	11.9	302	40.3	18.3
				-A21A	Plus	21.7	550	14.8	376.4	11.9	302	41.6	18.9
	115V/1/60Hz	NEK6152GK	UNE0025MGG	-A11A	Bare	17.7	450	11.7	296.2	10.2	259	35.2	16.0
1/3	115 -127V/1/60Hz	NEU6210GK	UNE0033MGE	-A11A	Bare	21.7	550	14.8	376.4	11.9	302	44.9	20.4
				-A21A	Plus	21.7	550	14.8	376.4	11.9	302	46.2	21.0
				-A22A	Ultimate	21.7	550	14.8	376.4	11.9	302	48.6	22.1
2/5	115 -127V/1/60Hz	NEU6212GK	UNE0040MGE	-A11A	Bare	21.7	550	14.8	376.4	11.9	302	44.9	20.4
				-A21A	Plus	21.7	550	14.8	376.4	11.9	302	46.2	21.0
				-A22A	Ultimate	21.7	550	14.8	376.4	11.9	302	48.6	22.1
1/2	115 -127V/1/60Hz	NEU6214GK	UNE0050MGE	-A11A	Bare	21.7	550	14.8	376.4	11.9	302	44.9	20.4
				-A21A	Plus	21.7	550	14.8	376.4	11.9	302	46.2	21.0
				-A22A	Ultimate	21.7	550	14.8	376.4	11.9	302	48.6	22.1
3/5	115 -127V/1/60Hz	NEU6215GK	UNE0060MGE	-A21A	Plus	21.7	550	14.8	376.4	11.8	299	61.4	27.9
				-A22A	Ultimate	21.7	550	14.8	376.4	11.8	299	63.8	29.0
	208-230V/1/60Hz	NEU6215GK	UNE0060MGD	-A21A	Plus	21.7	550	14.8	376.4	11.8	299	61.4	27.9
				-A22A	Ultimate	21.7	550	14.8	376.4	11.8	299	63.8	29.0
5/8	115V/1/60Hz	NT6220GKV	UNT0065MGG	-A21A	Plus	21.7	550	14.8	376.4	12.8	324	53.2	24.2
				-A22A	Ultimate	21.7	550	14.8	376.4	12.8	324	55.7	25.3
	208-230V/1/60Hz	NT6220GKV	UNT0065MGD	-A21A	Plus	21.7	550	14.8	376.4	12.8	324	53.2	24.2
				-A22A	Ultimate	21.7	550	14.8	376.4	12.8	324	55.7	25.3
3/4	115V/1/60Hz	NT6222GKV	UNT0075MGG	-A21A	Plus	21.7	550	14.8	376.4	12.8	324	66.9	30.4
				-A22A	Ultimate	21.7	550	14.8	376.4	12.8	324	69.3	31.5
	208-230V/1/60Hz	NT6222GKV	UNT0075MGD	-A21A	Plus	21.7	550	14.8	376.4	12.8	324	66.9	30.4
				-A22A	Ultimate	21.7	550	14.8	376.4	12.8	324	69.3	31.5
1	115V/1/60Hz	NTU6232GKV	UNT0100MGG	-A21A	Plus	24.0	610	18.4	468.2	16.9	430	69.7	31.7
				-A22A	Ultimate	24.0	610	18.4	468.2	16.9	430	72.2	32.8
	208-230V/1/60Hz	NTU6232GKV	UNT0100MGD	-A21A	Plus	24.0	610	18.4	468.2	16.9	430	66.9	30.4
				-A22A	Ultimate	24.0	610	18.4	468.2	16.9	430	69.3	31.5
1 2/5	208-230V/1/60Hz	NTU6240GKV	UNT0140MGD	-A21A	Plus	24.0	610	18.4	468.2	16.9	430	69.7	31.7
				-A22A	Ultimate	24.0	610	18.4	468.2	16.9	430	72.2	32.8

- Application: MBP
- Refrigerant: R404A

HP	Voltage / Frequency	Compressor Model	Cond. Unit Model	Version		SKU	UL File Number	Line Connections			
								Suction		Liquid	
								(in)	(mm)	(in)	(mm)
1/4	115 -127V/1/60Hz	NEU6181GK	UNE0025MGE	-A11A	Bare	657AEM501AA	SA33081	3/8"	9.5	1/4"	6.4
				-A21A	Plus	657AEN601AA	SA33081	3/8"	9.5	1/4"	6.4
	115V/1/60Hz	NEK6152GK	UNE0025MGG	-A11A	Bare	657LGM501AA	SA33081	3/8"	9.5	1/4"	6.4
1/3	115 -127V/1/60Hz	NEU6210GK	UNE0033MGE	-A11A	Bare	668IEM501AA	SA33081	3/8"	9.5	1/4"	6.4
				-A21A	Plus	668IEN601AA	SA33081	3/8"	9.5	1/4"	6.4
				-A22A	Ultimate	668IEN601DA	SA33081	3/8"	9.5	1/4"	6.4
2/5	115 -127V/1/60Hz	NEU6212GK	UNE0040MGE	-A11A	Bare	667HEM501AA	SA33081	3/8"	9.5	1/4"	6.4
				-A21A	Plus	TBD	TBD	3/8"	9.5	1/4"	6.4
				-A22A	Ultimate	667HEN601DA	SA33081	3/8"	9.5	1/4"	6.4
1/2	115 -127V/1/60Hz	NEU6214GK	UNE0050MGE	-A11A	Bare	659WEM510AA	SA33081	1/2"	12.7	3/8"	9.5
				-A21A	Plus	659WEN610AA	SA33081	1/2"	12.7	3/8"	9.5
				-A22A	Ultimate	659WEN610DA	SA33081	1/2"	12.7	3/8"	9.5
3/5	115 -127V/1/60Hz	NEU6215GK	UNE0060MGE	-A21A	Plus	669NEN610AA	SA33081	1/2"	12.7	3/8"	9.5
				-A22A	Ultimate	669NEN610DA	SA33081	1/2"	12.7	3/8"	9.5
	208-230V/1/60Hz	NEU6215GK	UNE0060MGD	-A21A	Plus	669NDN604AA	SA33081	1/2"	12.7	3/8"	9.5
				-A22A	Ultimate	669NDN604DA	SA33081	1/2"	12.7	3/8"	9.5
5/8	115V/1/60Hz	NTU6220GKV	UNT0065MGG	-A21A	Plus	602BGN610AA	SA33081	1/2"	12.7	3/8"	9.5
				-A22A	Ultimate	602BGN610DA	SA33081	1/2"	12.7	3/8"	9.5
	208-230V/1/60Hz	NTU6220GKV	UNT0065MGD	-A21A	Plus	602BDN604AA	SA33081	1/2"	12.7	3/8"	9.5
				-A22A	Ultimate	602BDN604DA	SA33081	1/2"	12.7	3/8"	9.5
3/4	115V/1/60Hz	NTU6222GKV	UNT0075MGG	-A21A	Plus	602CGN610AA	SA33081	1/2"	12.7	3/8"	9.5
				-A22A	Ultimate	602CGN610DA	SA33081	1/2"	12.7	3/8"	9.5
	208-230V/1/60Hz	NTU6222GKV	UNT0075MGD	-A21A	Plus	602CDN604AA	SA33081	1/2"	12.7	3/8"	9.5
				-A22A	Ultimate	602CDN604DA	SA33081	1/2"	12.7	3/8"	9.5
1	115V/1/60Hz	NTU6232GKV	UNT0100MGG	-A21A	Plus	605AGN610AA	SA33081	5/8"	15.9	3/8"	9.5
				-A22A	Ultimate	605AGN610DA	SA33081	5/8"	15.9	3/8"	9.5
	208-230V/1/60Hz	NTU6232GKV	UNT0100MGD	-A21A	Plus	605ADN604AA	SA33081	5/8"	15.9	3/8"	9.5
				-A22A	Ultimate	605ADN604DA	SA33081	5/8"	15.9	3/8"	9.5
1 2/5	208-230V/1/60Hz	NTU6240GKV	UNT0140MGD	-A21A	Plus	605FDN604AA	SA33081	5/8"	15.9	3/8"	9.5
				-A22A	Ultimate	605FDN604DA	SA33081	5/8"	15.9	3/8"	9.5

8.2 Capacity Data

- Application: MBP
- Refrigerant: R404A

HP	Voltage / Frequency	Compressor Model	Cond. Unit Model	Version	Ambient Temperature °F (°C)	Capacity (Btu/h) / Evap Temp °F (°C) ^a						
						-4°F (-20°C)	0°F (-18°C)	10°F (-12°C)	20°F (-6°C)	30°F (-1°C)	40°F (4.4°C)	50°F (10°C)
1/4	115-127V 60Hz	NEU6181GK	LINE0025MGE	Bare & Plus	80°F (27°C)	1,727	1,829	2,197	2,712	3,362	4,063	4,743
					90°F (32°C)	1,603	1,699	2,040	2,512	3,108	3,747	4,367
					100°F (38°C)	1,430	1,518	1,829	2,259	2,801	3,384	3,946
					110°F (43°C)	1,290	1,371	1,660	2,063	2,571	3,118	3,641
	115V 60Hz	NEK6152GK	LINE0025MGG	Bare	80°F (27°C)	1,339	1,456	1,787	2,152	2,555		
					90°F (32°C)	1,239	1,347	1,652	1,989	2,363		
					100°F (38°C)	1,118	1,216	1,493	1,799	2,137		
					110°F (43°C)	1,017	1,107	1,361	1,642	1,952		
1/3	115-127V 60Hz	NEU6210GK	LINE0033MGE	Bare, Plus & Ultimate	80°F (27°C)	1,911	2,031	2,471	3,087	3,848	4,637	5,365
					90°F (32°C)	1,776	1,887	2,291	2,849	3,539	4,255	4,913
					100°F (38°C)	1,579	1,680	2,046	2,552	3,178	3,829	4,422
					110°F (43°C)	1,415	1,510	1,852	2,326	2,914	3,526	4,077
2/5	115-127V 60Hz	NEU6212GK	LINE0040MGE	Bare, Plus & Ultimate	80°F (27°C)	2,277	2,406	2,884	3,555	4,398	5,311	6,226
					90°F (32°C)	2,103	2,216	2,645	3,261	4,049	4,915	5,796
					100°F (38°C)	1,889	1,983	2,358	2,916	3,648	4,466	5,309
					110°F (43°C)	1,726	1,805	2,140	2,656	3,347	4,129	
1/2	115-127V 60Hz	NEU6214GK	LINE0050MGE	Bare, Plus & Ultimate	80°F (27°C)	2,627	2,803	3,362	4,050	4,843	5,640	6,379
					90°F (32°C)	2,424	2,588	3,104	3,737	4,470	5,207	5,886
					100°F (38°C)	2,171	2,321	2,795	3,378	4,053	4,731	
					110°F (43°C)	1,969	2,110	2,557	3,107	3,743	4,380	
3/5	115-127V 60Hz	NEU6215GK	LINE0060MGE	Plus & Ultimate	80°F (27°C)	3,103	3,287	3,913	4,732	5,718	6,741	7,712
					90°F (32°C)	2,878	3,046	3,620	4,375	5,291	6,248	7,161
					100°F (38°C)	2,588	2,741	3,264	3,958	4,808	5,703	6,559
					110°F (43°C)	2,354	2,496	2,986	3,641	4,448	5,300	
	208-230V 60Hz	NEU6215GK	LINE0060MGD	Plus & Ultimate	80°F (27°C)	3,008	3,271	3,998	4,782	5,632	6,495	7,374
					90°F (32°C)	2,792	3,037	3,712	4,439	5,224	6,019	6,824
					100°F (38°C)	2,523	2,746	3,358	4,014	4,722	5,433	6,150
					110°F (43°C)	2,292	2,495	3,055	3,652	4,293	4,935	

^a Subcooling 2.8°C/5°F , Return gas temperature 18.3°C/65°F.

*R448A, R449A performance can be provided under request.

**UN units envelope: Max Tcond 55°C/130°F (steady state condition)

- Application: MBP
- Refrigerant: R404A

HP	Voltage / Frequency	Compressor Model	Cond. Unit Model	Version	Ambient Temperature °F (°C)	Capacity (Btu/h) / Evap Temp °F (°C) [Ⓐ]						
						-4°F (-20°C)	0°F (-18°C)	10°F (-12°C)	20°F (-6°C)	30°F (-1°C)	40°F (4.4°C)	50°F (10°C)
5/8	115V 60Hz	NT6220GKV	UNTO065MGG	Plus & Ultimate	80°F (27°C)	3,428	3,757	4,664	5,636	6,682	7,730	8,782
					90°F (32°C)	3,131	3,437	4,278	5,176	6,138	7,096	8,050
					100°F (38°C)	2,779	3,058	3,822	4,634	5,496	6,349	7,188
					110°F (43°C)	2,496	2,752	3,453	4,194	4,975	5,740	
	208-230V 60Hz	NT6220GKV	UNTO065MGD	Plus & Ultimate	80°F (27°C)	3,493	3,818	4,689	5,595	6,560	7,545	8,586
					90°F (32°C)	3,240	3,540	4,341	5,174	6,061	6,964	7,917
					100°F (38°C)	2,917	3,186	3,903	4,648	5,439	6,244	7,089
					110°F (43°C)	2,618	2,860	3,507	4,178	4,890	5,612	
3/4	115V 60Hz	NT6222GKV	UNTO075MGG	Plus & Ultimate	80°F (27°C)	4,263	4,583	5,488	6,491	7,600	8,733	9,875
					90°F (32°C)	3,907	4,204	5,046	5,979	7,008	8,056	9,106
					100°F (38°C)	3,479	3,752	4,523	5,376	6,314	7,261	
					110°F (43°C)	3,130	3,384	4,099	4,888	5,750		
	208-230V 60Hz	NT6222GKV	UNTO075MGD	Plus & Ultimate	80°F (27°C)	4,158	4,499	5,439	6,444	7,513	8,566	9,588
					90°F (32°C)	3,806	4,121	4,991	5,919	6,907	7,875	8,811
					100°F (38°C)	3,392	3,677	4,465	5,305	6,196	7,064	
					110°F (43°C)	3,058	3,320	4,041	4,809	5,619		
1	115V 60Hz	NTU6232GKV	UNTO100MGG	Plus & Ultimate	80°F (27°C)	5,781	6,309	7,742	9,264	10,928		
					90°F (32°C)	5,299	5,794	7,134	8,557	10,108		
					100°F (38°C)	4,711	5,164	6,390	7,688	9,096		
					110°F (43°C)	4,207	4,624	5,751	6,940	8,225		
	208-230V 60Hz	NTU6232GKV	UNTO100MGD	Plus & Ultimate	80°F (27°C)	5,546	6,077	7,546	9,113	10,765		
					90°F (32°C)	5,090	5,596	6,984	8,445	9,959		
					100°F (38°C)	4,510	4,986	6,282	7,626	8,993		
					110°F (43°C)	4,035	4,488	5,712	6,968	8,223		
1 2/5	208-230V 60Hz	NTU6240GKV	UNTO140MGD	Plus & Ultimate	80°F (27°C)	7,426	8,086	9,714	11,350	13,295		
					90°F (32°C)	6,831	7,453	8,974	10,484	12,250		
					100°F (38°C)	6,125	6,687	8,043	9,368	10,891		
					110°F (43°C)	5,487	5,988	7,187	8,343	9,660		

[Ⓐ] Subcooling 2.8°C/5°F , Return gas temperature 18.3°C/65°F.

*R448A, R449A performance can be provided under request.

**UN units envelope: Max Tcond 55°C/130°F (steady state condition)

8.3 Electrical Data

- Application: MBP
- Refrigerant: R404A

Condensing Unit Model	Version	Voltage / Frequency	Compressor LRA	Compressor RLA	Fan Motor FLA	Cond. Unit MCA	Cond. Unit Max. Fuse	Wiring Diagram Reference
UNE0025MGE	Bare & Plus	115-127V/1/60Hz	31.0	6.00	0.80	8.30	15	2196097
UNE0025MGG	Bare	115V/1/60Hz	34.0	4.80	0.80	6.80	10	2196097
UNE0033MGE	Bare & Plus	115-127V/1/60Hz	39.0	6.85	0.80	9.40	15	2196097
UNE0033MGE	Ultimate	115-127V/1/60Hz	39.0	6.85	0.80	9.40	15	2196101
UNE0040MGE	Bare & Plus	115-127V/1/60Hz	39.0	7.20	0.80	9.80	15	2196097
UNE0040MGE	Ultimate	115-127V/1/60Hz	39.0	7.20	0.80	9.80	15	2196101
UNE0050MGE	Bare & Plus	115-127V/1/60Hz	42.0	7.50	0.80	10.20	20	2196099
UNE0050MGE	Ultimate	115-127V/1/60Hz	42.0	7.50	0.80	10.20	20	2196102
UNE0060MGD	Plus	208-230V/1/60Hz	34.0	6.27	0.40	8.20	15	2196100
UNE0060MGE	Plus	115-127V/1/60Hz	47.0	11.49	0.80	15.20	25	2196099
UNE0060MGD	Ultimate	208-230V/1/60Hz	34.0	6.27	0.40	8.20	15	2196104
UNE0060MGE	Ultimate	115-127V/1/60Hz	47.0	11.49	0.80	15.20	25	2196102
UNTO065MGD	Plus	208-230V/1/60Hz	26.5	5.15	0.40	6.80	10	2196100
UNTO065MGG	Plus	115V/1/60Hz	54.5	12.58	0.80	16.50	30	2196099
UNTO065MGD	Ultimate	208-230V/1/60Hz	26.5	5.15	0.40	6.80	10	2196104
UNTO065MGG	Ultimate	115V/1/60Hz	54.5	12.58	0.80	16.50	30	2196102
UNTO075MGD	Plus	208-230V/1/60Hz	33.7	8.02	0.40	10.40	20	2196100
UNTO075MGG	Plus	115V/1/60Hz	70.0	14.60	0.80	19.10	35	2196099
UNTO075MGD	Ultimate	208-230V/1/60Hz	33.7	8.02	0.40	10.40	20	2196104
UNTO075MGG	Ultimate	115V/1/60Hz	70.0	14.60	0.80	19.10	35	2196102
UNTO100MGD	Plus	208-230V/1/60Hz	46.0	7.70	0.40	10.00	20	2196100
UNTO100MGG	Plus	115V/1/60Hz	93.0	17.00	0.81	22.10	40	2196099
UNTO100MGD	Ultimate	208-230V/1/60Hz	46.0	7.70	0.40	10.00	20	2196104
UNTO100MGG	Ultimate	115V/1/60Hz	93.0	17.00	0.81	22.10	40	2196102
UNTO140MGD	Plus	208-230V/1/60Hz	51.0	11.00	0.40	14.20	25	2196100
UNTO140MGD	Ultimate	208-230V/1/60Hz	51.0	11.00	0.40	14.10	25	2196104



Ultimate Compact Units

Ultimate Compact Units

9.1 Dimensional Data

- Application: MBP
- Refrigerant: R404A

HP	Voltage / Frequency	Compressor Model	Cond. Unit Model	Version		Length		Width		Height		Weight	
						(in)	(mm)	(in)	(mm)	(in)	(mm)	(lbs)	(kg)
1/2	115V/1/60Hz	NT6220GKV	UNT0050MGG	-A32A	Ultimate Compact	19.7	500	24.4	620	10.2	259	60.3	27.4
	208-230V/1/60Hz	NT6220GKV	UNT0050MGD	-A32A	Ultimate Compact	19.7	500	24.4	620	10.2	259	60.3	27.4
1	115V/1/60Hz	NTU6232GKV	UNT0100MGG	-A32A	Ultimate Compact	19.7	500	25.2	640	12.8	324	88.7	40.3
	208-230V/1/60Hz	NTU6232GKV	UNT0100MGD	-A32A	Ultimate Compact	19.7	500	25.2	640	12.8	324	87.6	39.8
1 1/4	208-230V/1/60Hz	NTU6240GKV	UNT0125MGD	-A32A	Ultimate Compact	19.7	500	25.2	640	12.8	324	90.4	41.1

HP	Voltage / Frequency	Compressor Model	Cond. Unit Model	Version		SKU	UL File Number	Line Connections			
								Suction		Liquid	
								(in)	(mm)	(in)	(mm)
1/2	115V/1/60Hz	NT6220GKV	UNT0050MGG	-A32A	Ultimate Compact	602BGNF10DA	SA33081	1/2"	12.7	3/8"	9.5
	208-230V/1/60Hz	NT6220GKV	UNT0050MGD	-A32A	Ultimate Compact	602BDNF04DA	SA33081	1/2"	12.7	3/8"	9.5
1	115V/1/60Hz	NTU6232GKV	UNT0100MGG	-A32A	Ultimate Compact	605AGNF10DA	SA33081	5/8"	15.9	3/8"	9.5
	208-230V/1/60Hz	NTU6232GKV	UNT0100MGD	-A32A	Ultimate Compact	605ADNF04DA	SA33081	5/8"	15.9	3/8"	9.5
1 1/4	208-230V/1/60Hz	NTU6240GKV	UNT0125MGD	-A32A	Ultimate Compact	605FDNF04DA	SA33081	5/8"	15.9	3/8"	9.5

9.2 Capacity Data

- Application: MBP
- Refrigerant: R404A

HP	Voltage / Frequency	Compressor Model	Cond. Unit Model	Version	Ambient Temperature °F (°C)	Capacity (Btu/h) / Evap Temp °F (°C) ^a						
						-4°F (-20°C)	0°F (-18°C)	10°F (-12°C)	20°F (-6°C)	30°F (-1°C)	40°F (4.4°C)	50°F (10°C)
1/2	115V 60Hz	NT6220GKV	UNT0050MGG	Ultimate Compact	80°F (27°C)	3,379	3,699	4,579	5,516	6,515	7,509	8,498
					90°F (32°C)	3,085	3,383	4,199	5,064	5,983	6,891	7,787
					100°F (38°C)	2,738	3,009	3,750	4,532	5,357	6,164	
	208-230V 60Hz	NT6220GKV	UNT0050MGD	Ultimate Compact	80°F (27°C)	3,450	3,767	4,612	5,486	6,412	7,350	8,334
					90°F (32°C)	3,198	3,490	4,267	5,069	5,917	6,776	7,675
					100°F (38°C)	2,874	3,134	3,828	4,543	5,298	6,060	6,856
1	115V 60Hz	NTU6232GKV	UNT0100MGG	Ultimate Compact	80°F (27°C)	5,675	6,187	7,569	9,028	10,611		
					90°F (32°C)	5,198	5,677	6,969	8,330	9,801		
					100°F (38°C)	4,616	5,053	6,232	7,470	8,802		
	208-230V 60Hz	NTU6232GKV	UNT0100MGD	Ultimate Compact	80°F (27°C)	5,454	5,972	7,394	8,897	10,460		
					90°F (32°C)	4,996	5,487	6,830	8,231	9,665		
					100°F (38°C)	4,422	4,885	6,139	7,430	8,727		
1 1/4	208-230V 60Hz	NTU6240GKV	UNT0125MGD	Ultimate Compact	80°F (27°C)	7,393	8,049	9,663	11,284	13,203		
					90°F (32°C)	6,802	7,419	8,926	10,419	12,158		
					100°F (38°C)	6,097	6,653	7,995	9,301	10,799		

^a Subcooling 2.8°C/5°F , Return gas temperature 18.3°C/65°F.

*R448A, R449A performance can be provided under request.

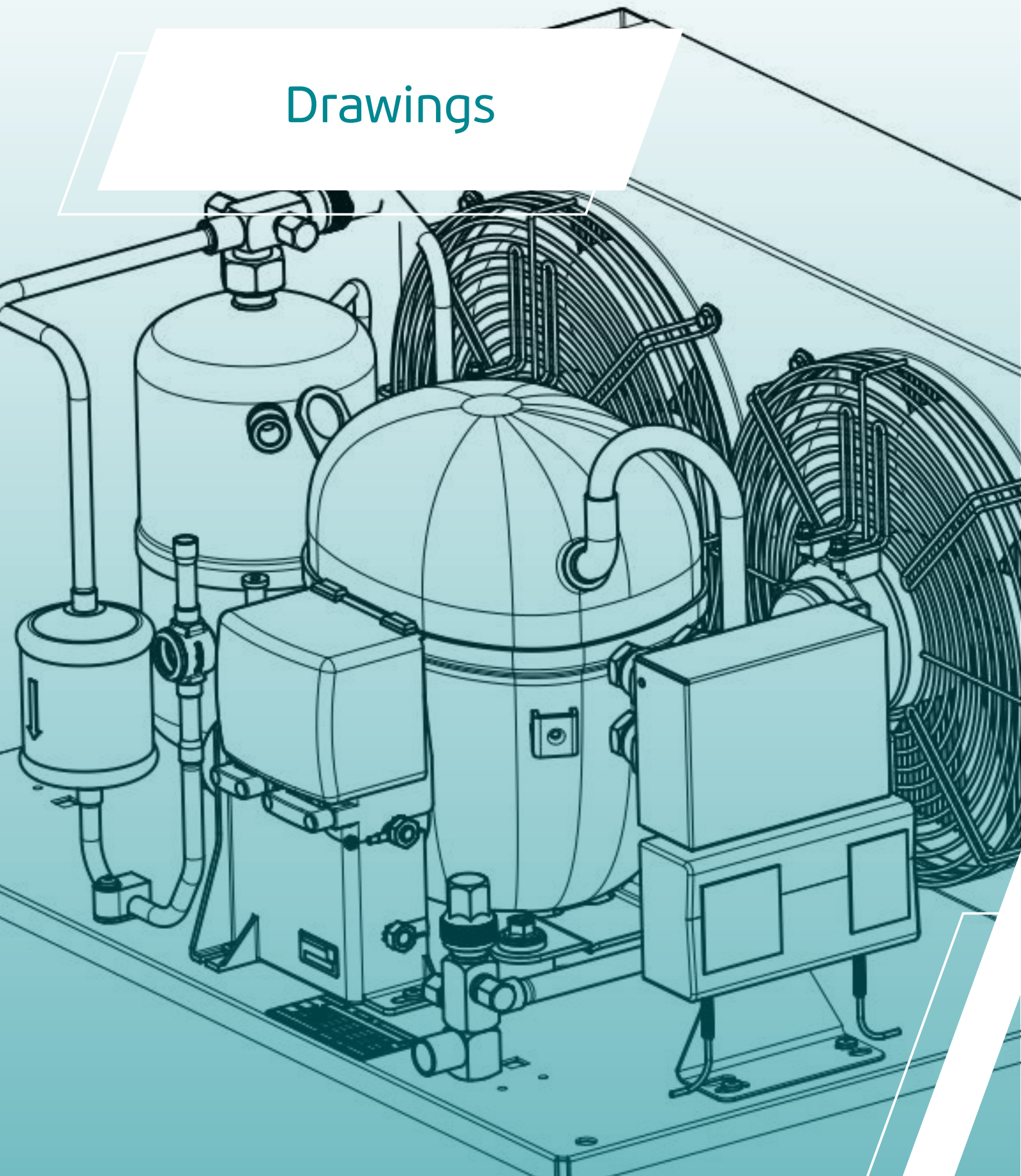
**UN units envelope: Max Tcond 55°C/130°F (steady state condition)

9.3 Electrical Data

- Application: MBP
- Refrigerant: R404A

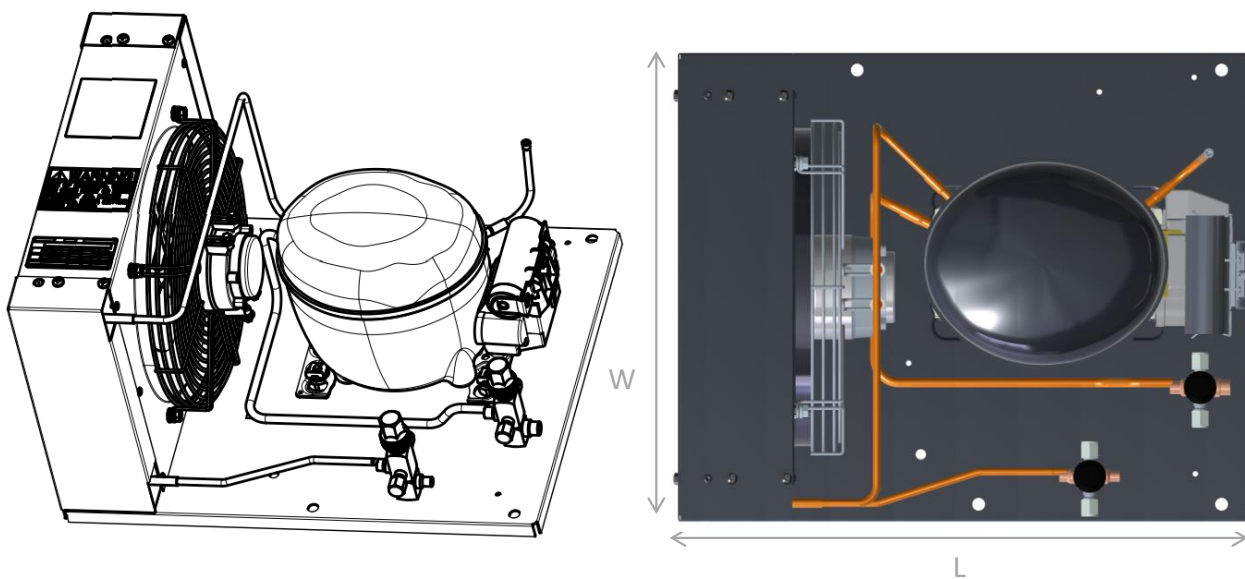
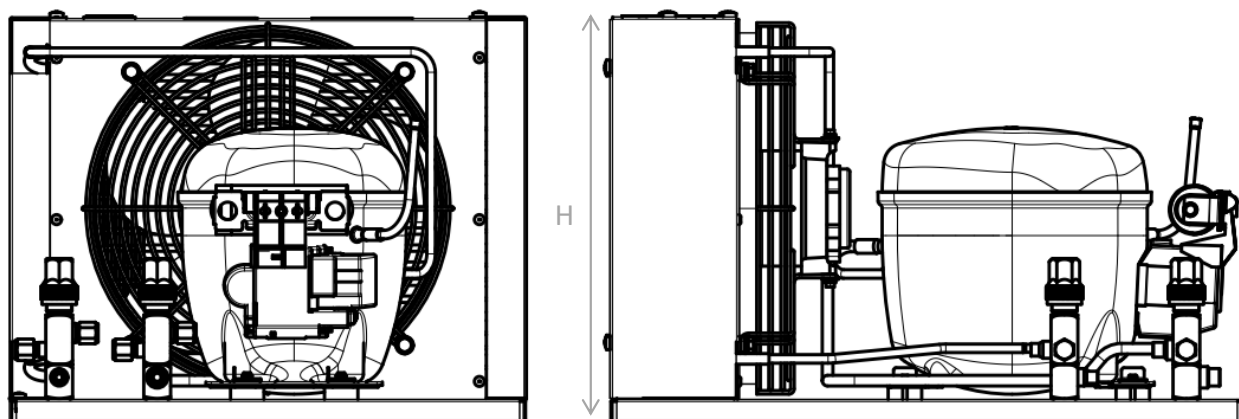
Condensing Unit Model	Version	Voltage / Frequency	Compressor LRA	Compressor RLA	Fan Motor FLA	Cond. Unit MCA	Cond. Unit Max. Fuse	Wiring Diagram Reference
UNT0050MGD-A32A	Ultimate Compact	208-230V/1/60Hz	29.0	4.20	0.54	5.80	10	2196104
UNT0050MGG-A32A	Ultimate Compact	115V/1/60Hz	54.5	12.58	1.06	16.80	30	2196102
UNT0100MGD-A32A	Ultimate Compact	208-230V/1/60Hz	46.0	7.70	0.80	10.40	20	2196104
UNT0100MGG-A32A	Ultimate Compact	115V/1/60Hz	93.0	17.00	1.60	22.90	40	2196102
UNT0125MGD-A32A	Ultimate Compact	208-230V/1/60Hz	51.0	11.00	0.80	14.60	25	2196104

Drawings

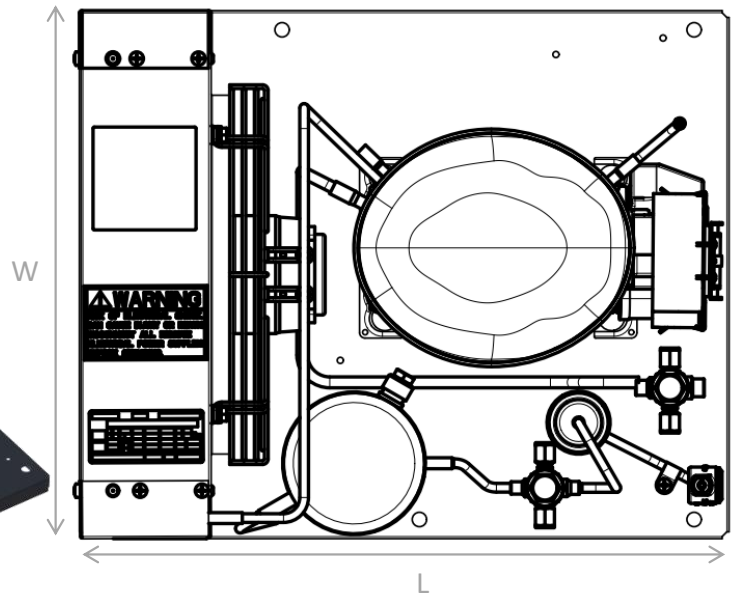
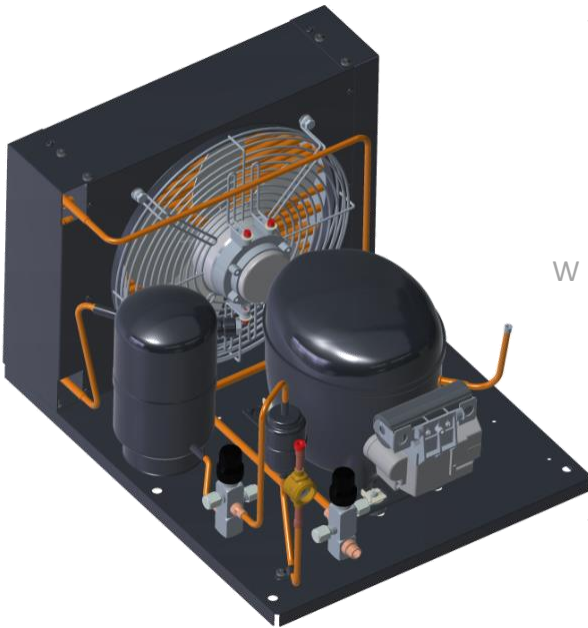
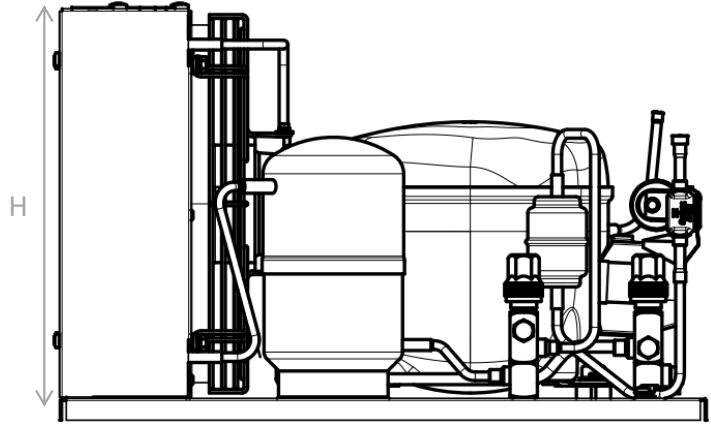
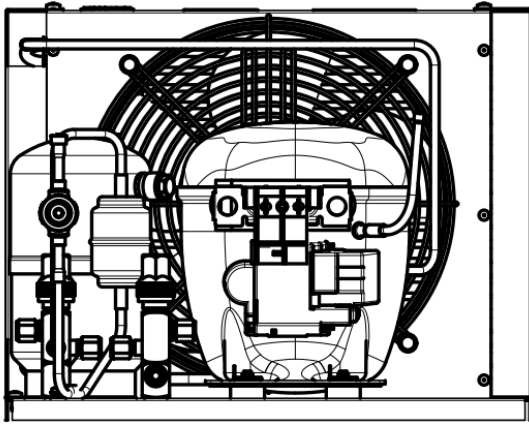


Drawings

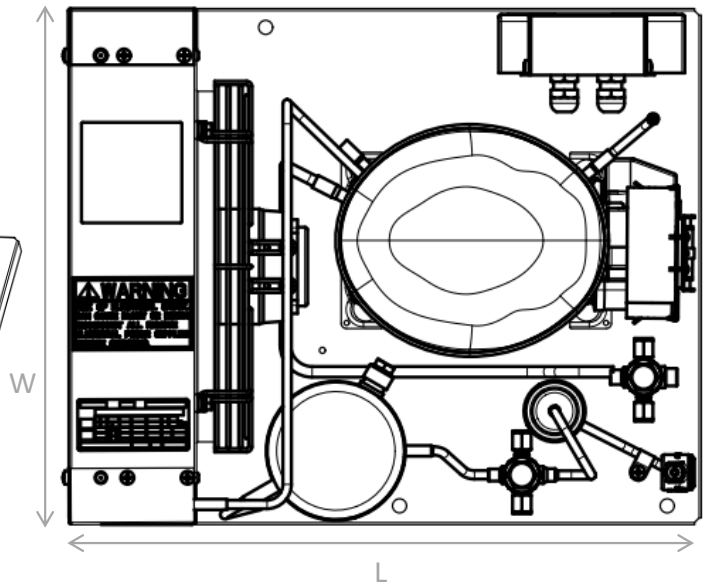
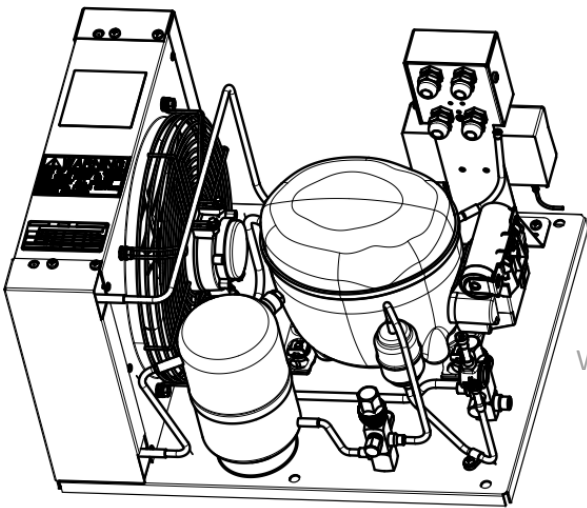
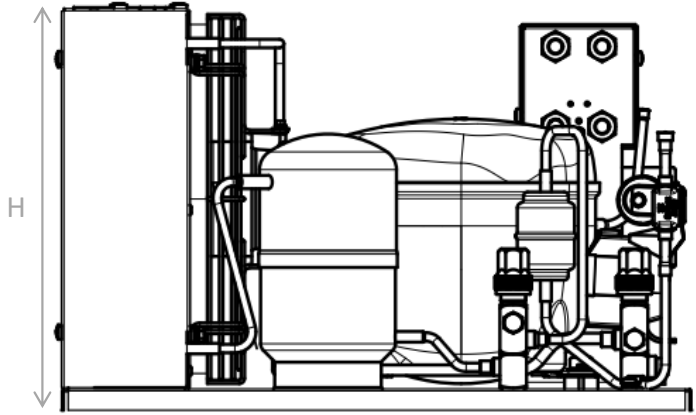
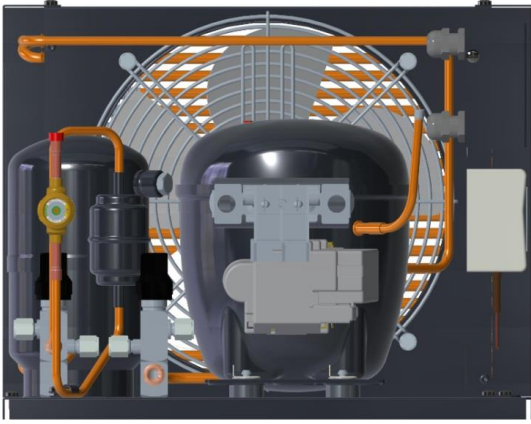
Bare Version



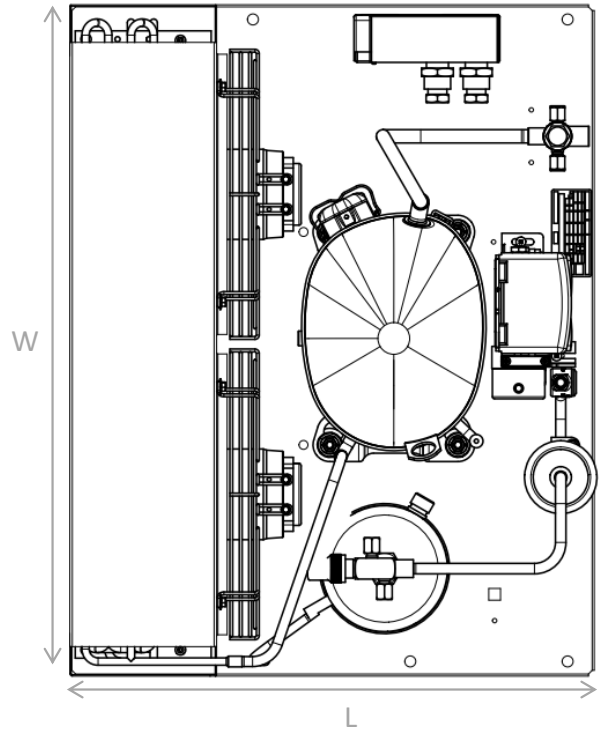
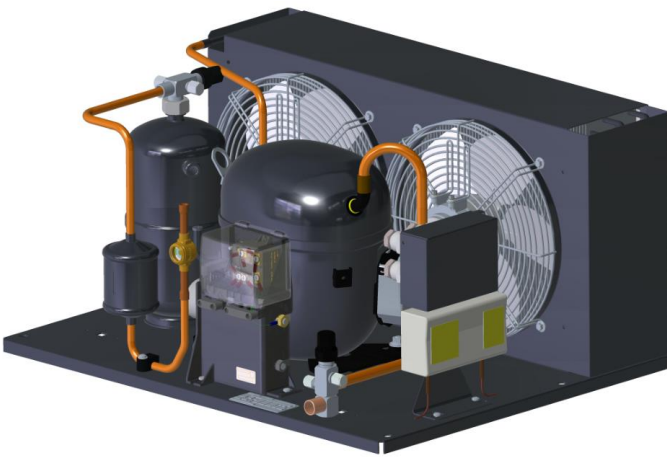
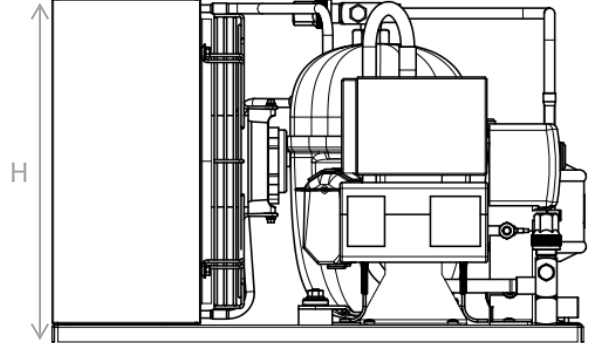
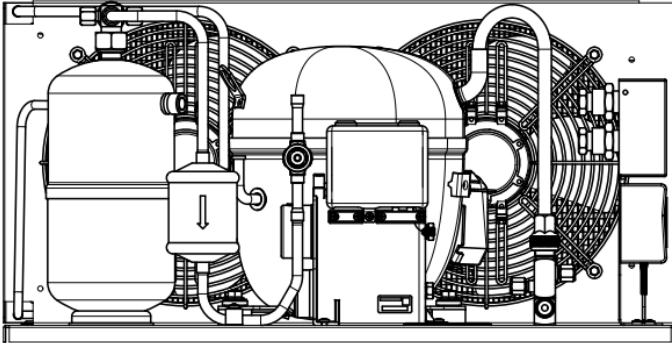
Plus Version



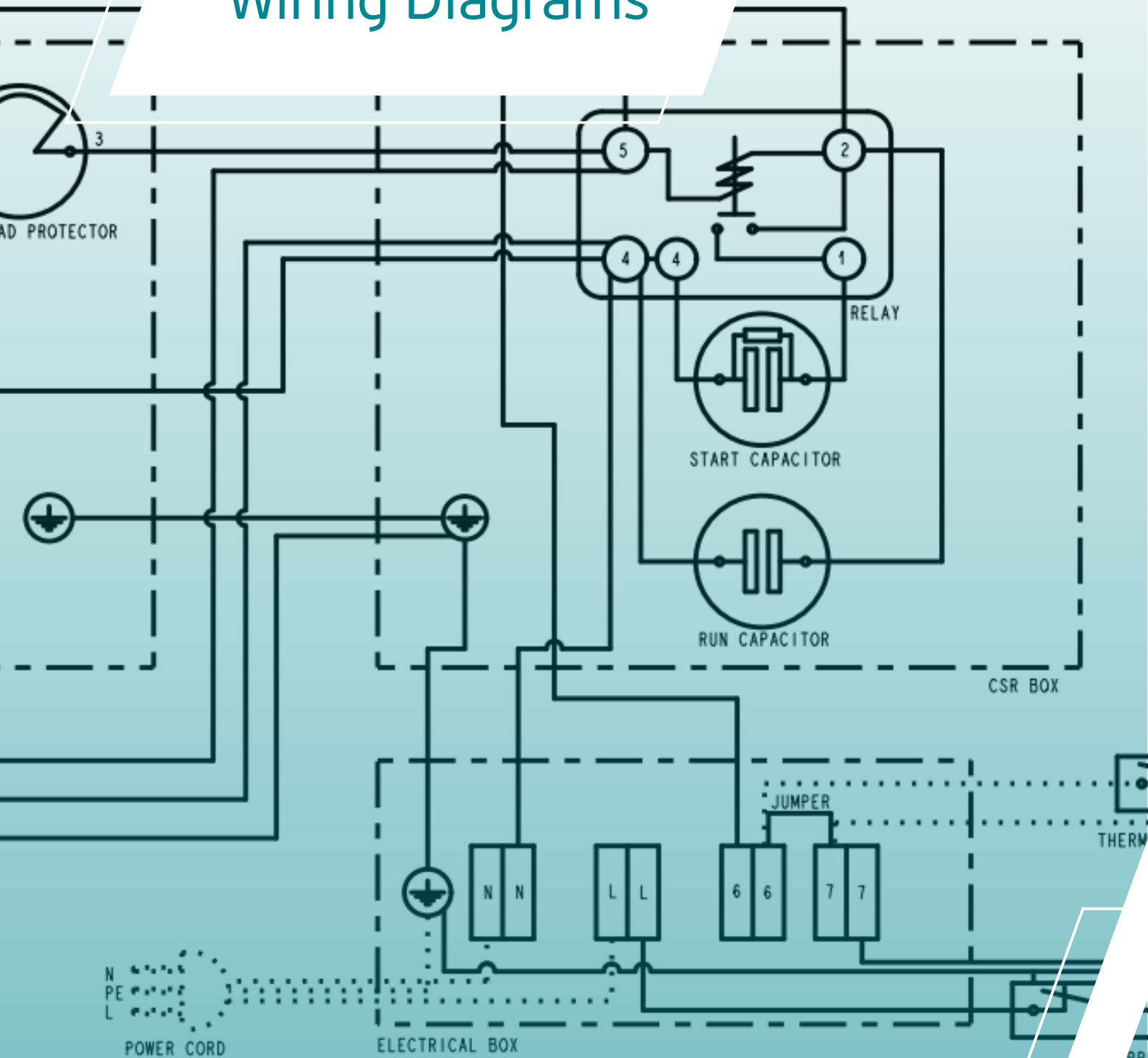
Ultimate Version



Ultimate Compact Version



Wiring Diagrams



Wiring Diagrams

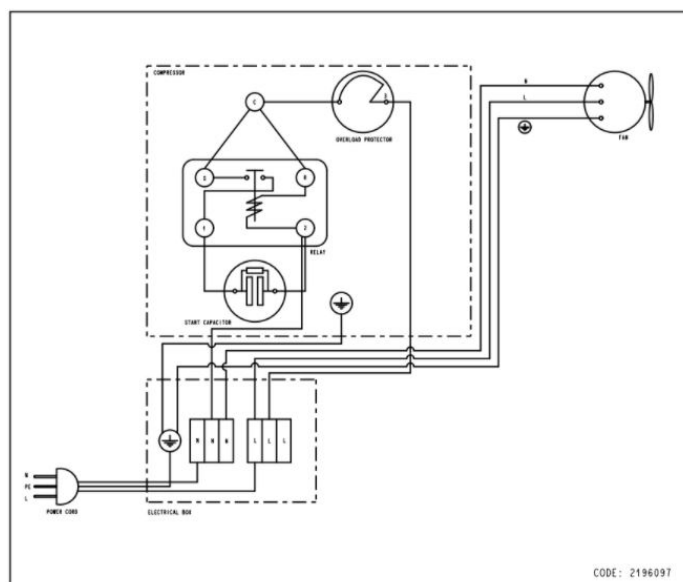
2196097

NOTES:

- 1-DIMENSIONS (WxH)mm (75x75)mm
- 2-SELF-ADHESIVE LABEL
- 3-BACKGROUND PRINTING:WHITE

POZNAMKY:

- 1-ROZMERY (SxV)mm (75x75)mm
- 2-SAMOLEPIACI STITOK
- 3-TLAC NA POZADI:BIELA



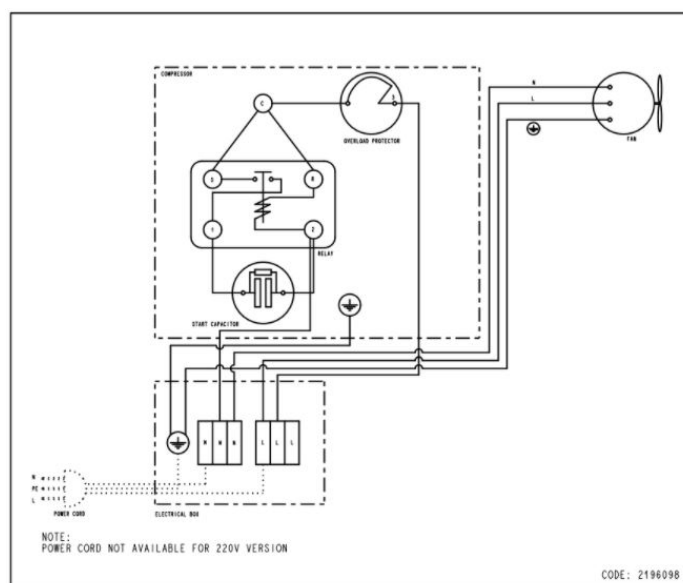
2196098

NOTES:

- 1-DIMENSIONS (WxH)mm (75x75)mm
- 2-SELF-ADHESIVE LABEL
- 3-BACKGROUND PRINTING:WHITE

POZNAMKY:

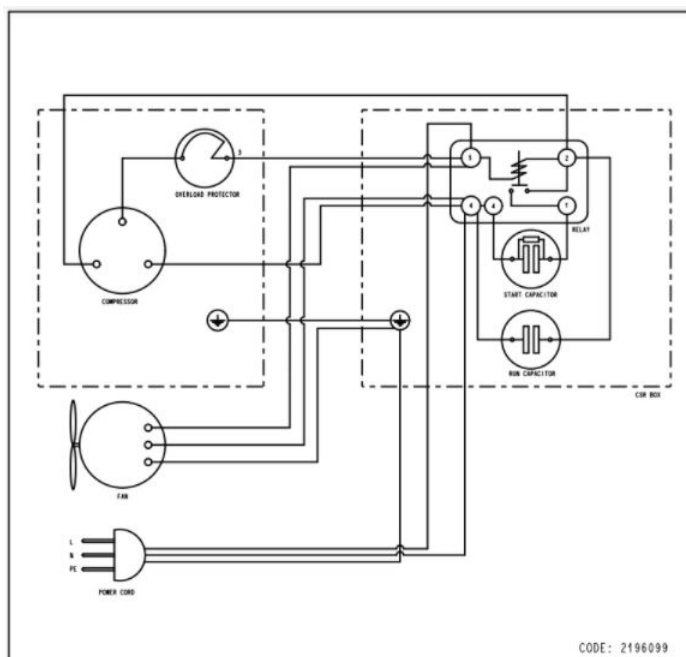
- 1-ROZMERY (SxV)mm (75x75)mm
- 2-SAMOLEPIACI STITOK
- 3-TLAC NA POZADI:BIELA



2196099

NOTES:
 1-DIMENSIONS (WxH)mm (75x75)mm
 2-SELF-ADHESIVE LABEL
 3-BACKGROUND PRINTING:WHITE

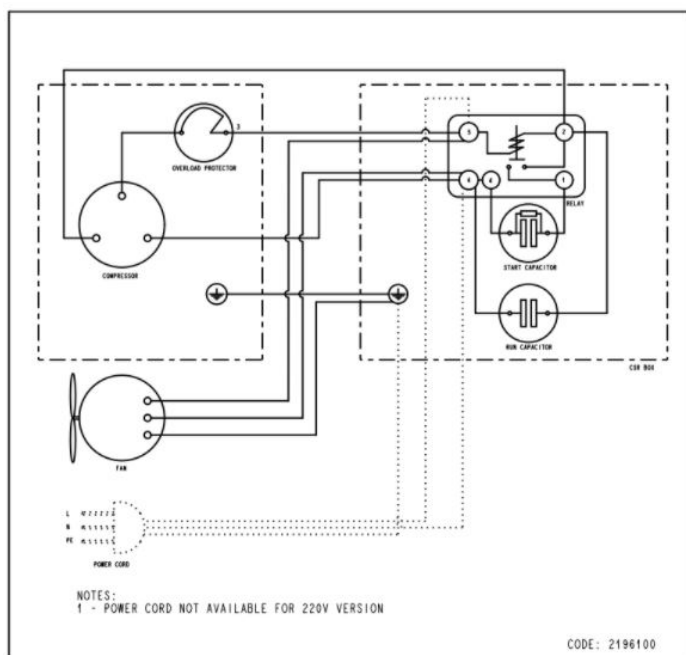
POZNAMKY:
 1-ROZMERY (SxV)mm (75x75)mm
 2-SAMOLEPIACI STITOK
 3-TLAC NA POZADI:BIELA



2196100

1-DIMENSIONS (WxH)mm (75x75)mm
 2-SELF-ADHESIVE LABEL
 3-BACKGROUND PRINTING:WHITE

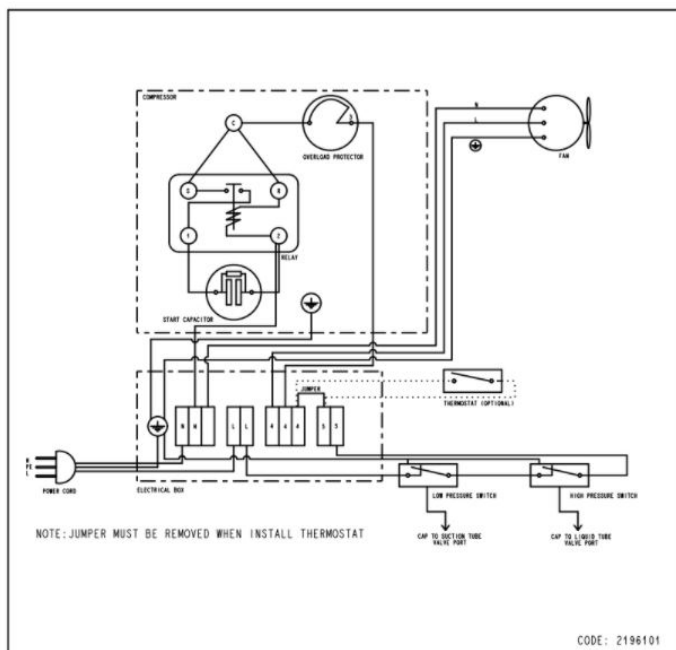
POZNAMKY:
 1-ROZMERY (SxV)mm (75x75)mm
 2-SAMOLEPIACI STITOK
 3-TLAC NA POZADI:BIELA



2196101

- 1-DIMENSIONS (WxH)mm (75x75)mm
- 2-SELF-ADHESIVE LABEL
- 3-BACKGROUND PRINTING:WHITE

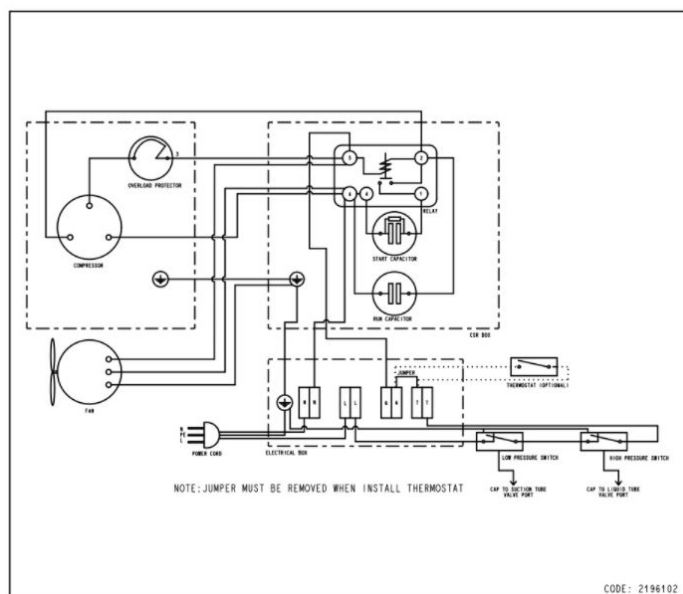
- POZNAMKY:
- 1-ROZMERY (SxV)mm (75x75)mm
 - 2-SAMOLEPIACI STITOK
 - 3-TLAC NA POZADI:BIELA



2196102

- 1-DIMENSIONS (WxH)mm (75x75)mm
- 2-SELF-ADHESIVE LABEL
- 3-BACKGROUND PRINTING:WHITE

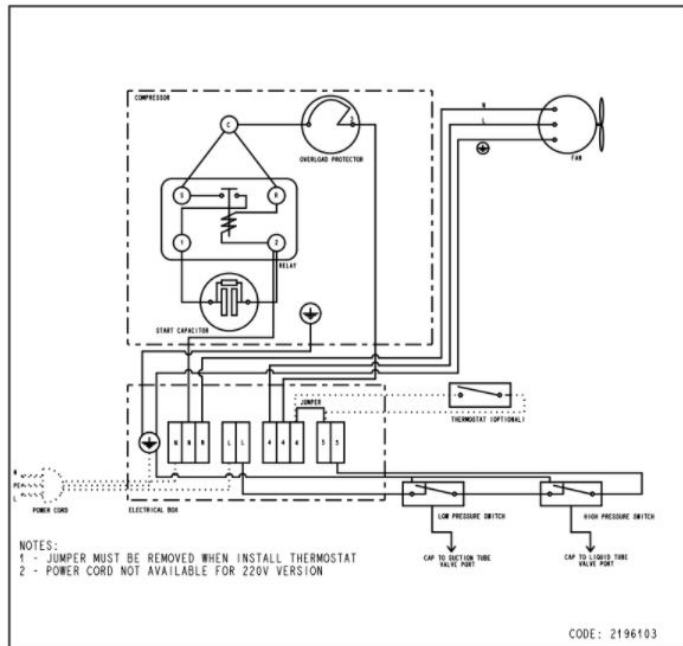
- POZNAMKY:
- 1-ROZMERY (SxV)mm (75x75)mm
 - 2-SAMOLEPIACI STITOK
 - 3-TLAC NA POZADI:BIELA



2196103

1-DIMENSIONS (WxH)mm (75x75)mm
 2-SELF-ADHESIVE LABEL
 3-BACKGROUND PRINTING:WHITE

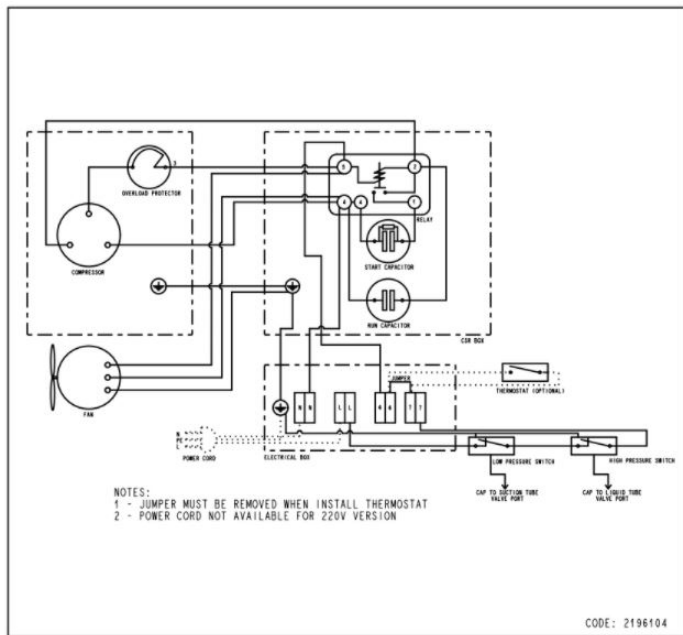
POZNAMKY:
 1-ROZMERY (SxV)mm (75x75)mm
 2-SAMOLEPIACI STITOK
 3-TLAC NA POZADI:BIELA



2196104

1-DIMENSIONS (WxH)mm (75x75)mm
 2-SELF-ADHESIVE LABEL
 3-BACKGROUND PRINTING:WHITE

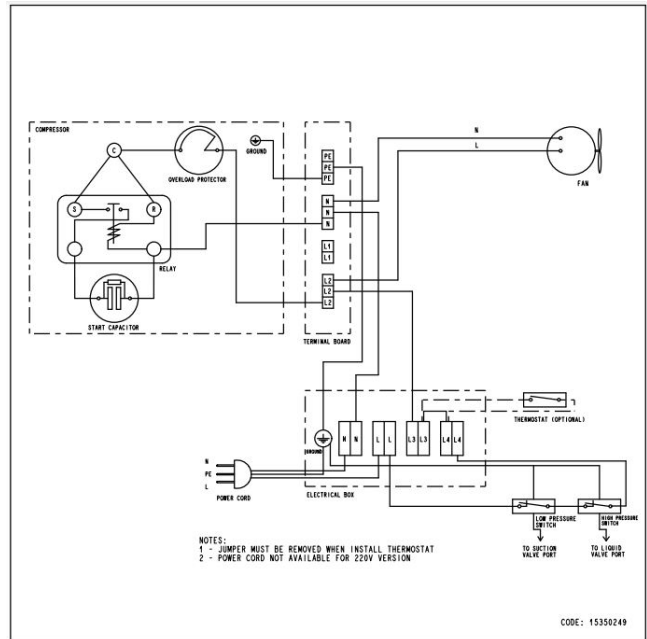
POZNAMKY:
 1-ROZMERY (SxV)mm (75x75)mm
 2-SAMOLEPIACI STITOK
 3-TLAC NA POZADI:BIELA



15350249

NOTES:

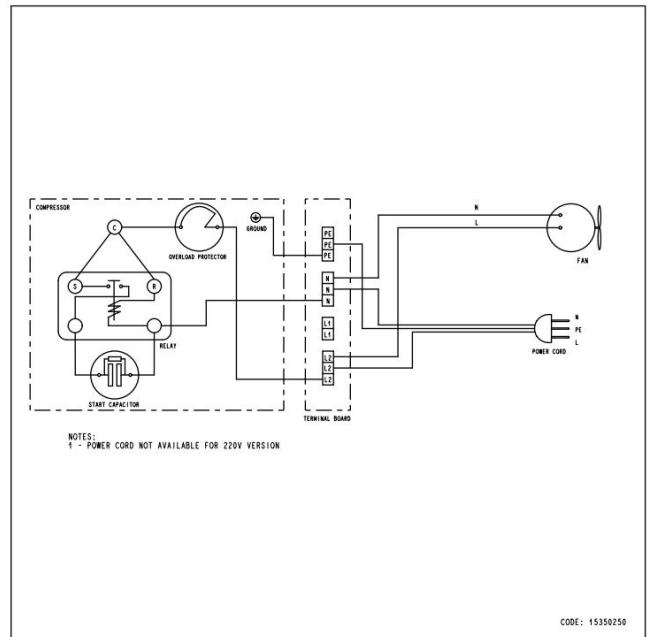
- 1 - DIMENSIONS (WxH)mm (75x75)mm
- 2 - SELF-ADHESIVE LABEL
- 3 - BACKGROUND PRINTING:WHITE
- 4 - QUOTES AND SPECIFICATIONS SIGNED WITH $\nabla\blacktriangledown\oplus$, ACCORDING TO TSS 002470.
- 5 - HAZARDOUS SUBSTANCES REQUIREMENTS MUST BE IN ACCORDANCE WITH TSS 002420. \oplus



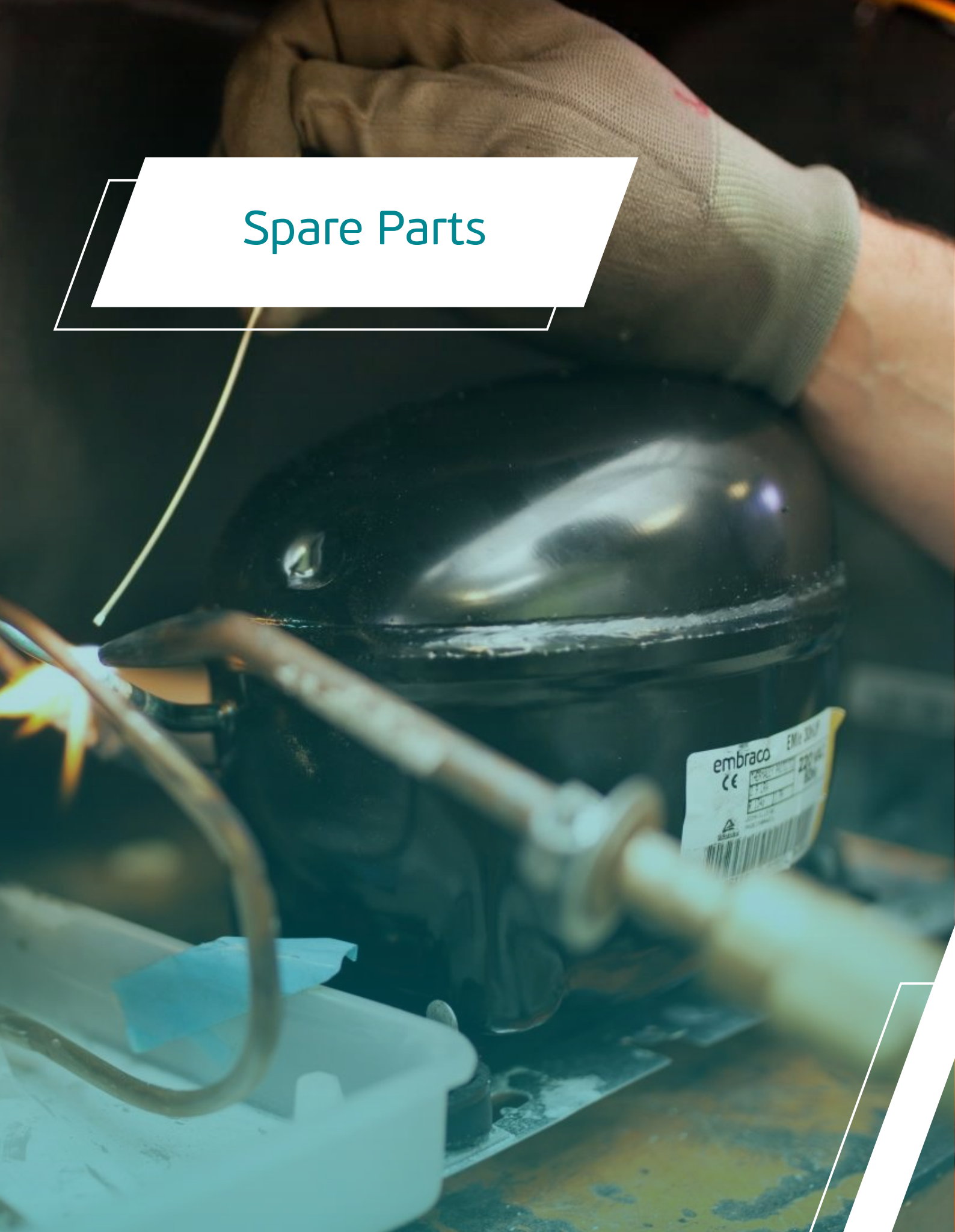
15350250

NOTES:

- 1 - DIMENSIONS (WxH)mm (75x75)mm
- 2 - SELF-ADHESIVE LABEL
- 3 - BACKGROUND PRINTING:WHITE
- 4 - QUOTES AND SPECIFICATIONS SIGNED WITH $\nabla\blacktriangledown\oplus$, ACCORDING TO TSS 002470.
- 5 - HAZARDOUS SUBSTANCES REQUIREMENTS MUST BE IN ACCORDANCE WITH TSS 002420. \oplus



Spare Parts



Spare Parts

- Application: L/MBP & MBP
- Refrigerant: R134a

Condensing Unit Model	Version		Compressor Model	Relay	Run Cap	Start Cap	Overload	Suction Valve	Liquid Valve	Condenser
UFF0010XZE	-A11A	Bare	FFU80HAX	213516094	-	13556005	13634483	2110142	2110140	515400105
	-A21A	Plus	FFU80HAX	213516094	-	13556005	13634483	2110142	2110140	515400105
UFF0020XZG	-A11A	Bare	FFU10HBX	213516191	-	13556529	13554609	2110142	2110140	515400105
	-A21A	Plus	FFU10HBX	213516191	-	13556529	13554609	2110142	2110140	515400105
UFF0025XZE	-A11A	Bare	FFU130HAX	213516051	-	13556535	13554617	2110142	2110140	515400105
	-A21A	Plus	FFU130HAX	213516051	-	13556535	13554617	2110142	2110140	515400105
UFF0033XZE	-A11A	Bare	FFU160HAX	213516051	-	13556535	13554029	2110142	2110140	515400104
	-A21A	Plus	FFU160HAX	213516051	-	13556535	13554029	2110142	2110140	515400104
	-A22A	Ultimate	FFU160HAX	213516051	-	13556535	13554029	2110142	2110140	515400104
UFF0033XZD	-A11A	Bare	FFU160HAX	213516051	-	13556535	13554029	2110142	2110140	515400104
	-A21A	Plus	FFU160HAX	213516051	-	13556535	13554029	2110142	2110140	515400104
	-A22A	Ultimate	FFU160HAX	213516051	-	13556535	13554029	2110142	2110140	515400104
UNE0045MZE	-A21A	Plus	NEU6212Z	2271116	-	2252324	2324007	2110143	2110142	2451254
	-A22A	Ultimate	NEU6212Z	2271116	-	2252324	2324007	2110143	2110142	2451254
UNE0045MZB	-A21A	Plus	NEU6212Z	2271116	-	2252324	2324007	2110143	2110142	2451254
	-A22A	Ultimate	NEU6212Z	2271116	-	2252324	2324007	2110143	2110142	2451254
UNE0050MZE	-A21A	Plus	NEU6214Z	1253050	2253313	2252288	2321081	2110143	2110142	2451254
	-A22A	Ultimate	NEU6214Z	1253050	2253313	2252288	2321081	2110143	2110142	2451254
UNE0050MZD	-A21A	Plus	NEU6214Z	1253050	2253313	2252288	2321081	2110143	2110142	2451254
	-A22A	Ultimate	NEU6214Z	1253050	2253313	2252288	2321081	2110143	2110142	2451254
UNT0060MZG	-A21A	Plus	NT6220Z	1262264	2253315	2252273	2295004	2110143	2110142	2451255
	-A22A	Ultimate	NT6220Z	1262264	2253315	2252273	2295004	2110143	2110142	2451255
UNT0060MZD	-A21A	Plus	NT6220Z	1262264	2253315	2252273	2295004	2110143	2110142	2451255
	-A22A	Ultimate	NT6220Z	1262264	2253315	2252273	2295004	2110143	2110142	2451255
UNT0100MZG	-A21A	Plus	NTU6224ZV	1253066	2253321	2252374	Internal	2110141	2110049	2451257
	-A22A	Ultimate	NTU6224ZV	1253066	2253321	2252374	Internal	2110141	2110049	2451257
UNT0100MZD	-A21A	Plus	NTU6224ZV	1253066	2253321	2252374	Internal	2110141	2110049	2451257
	-A22A	Ultimate	NTU6224ZV	1253066	2253321	2252374	Internal	2110141	2110049	2451257

- Application: L/MBP & MBP
- Refrigerant: R134a

Condensing Unit Model	Version		Fan Motor	Fan Blade	Fan Guard	Filter Drier*	Receiver*	Sight Glass*	Pressure Switch**	Power Cord***
UFF0010XZE	-A11A	Bare	515400110	515400107	2458034	-	-	-	-	515400112
	-A21A	Plus	515400110	515400107	2458034	2730021	2457070	2464416	-	515400112
UFF0020XZG	-A11A	Bare	515400110	515400107	2458034	-	-	-	-	515400112
	-A21A	Plus	515400110	515400107	2458034	2730021	2457070	2464416	-	515400112
UFF0025XZE	-A11A	Bare	515400110	515400107	2458034	-	-	-	-	515400112
	-A21A	Plus	515400110	515400107	2458034	2730021	2457071	2464416	-	515400112
UFF0033XZE	-A11A	Bare	515400108	515400106	2458035	-	-	-	-	515400112
	-A21A	Plus	515400108	515400106	2458035	2730021	2457071	2464416	-	515400112
	-A22A	Ultimate	515400108	515400106	2458035	2730021	2457071	2464416	2466035	2258226
UFF0033XZD	-A11A	Bare	515400109	515400106	2458035	-	-	-	-	-
	-A21A	Plus	515400109	515400106	2458035	2730021	2457071	2464416	-	-
	-A22A	Ultimate	515400109	515400106	2458035	2730021	2457071	2464416	2466035	-
UNE0045MZE	-A21A	Plus	1450116	2455003	2458035	2730010	2457071	2464417	-	2258226
	-A22A	Ultimate	1450116	2455003	2458035	2730010	2457071	2464417	2466035	2258226
UNE0045MZB	-A21A	Plus	1450117	2455003	2458035	2730010	2457071	2464417	-	-
	-A22A	Ultimate	1450117	2455003	2458035	2730010	2457071	2464417	2466035	-
UNE0050MZE	-A21A	Plus	1450116	2455003	2458035	2730010	2457071	2464417	-	2258071
	-A22A	Ultimate	1450116	2455003	2458035	2730010	2457071	2464417	2466035	2258226
UNE0050MZD	-A21A	Plus	1450117	2455003	2458035	2730010	2457071	2464417	-	-
	-A22A	Ultimate	1450117	2455003	2458035	2730010	2457071	2464417	2466035	-
UNT0060MZG	-A21A	Plus	1450116	2455003	2458035	2730010	2457071	2464417	-	2258228
	-A22A	Ultimate	1450116	2455003	2458035	2730010	2457071	2464417	2466035	2258227
UNT0060MZD	-A21A	Plus	1450117	2455003	2458035	2730010	2457071	2464417	-	-
	-A22A	Ultimate	1450117	2455003	2458035	2730010	2457071	2464417	2466035	-
UNT0100MZG	-A21A	Plus	1451109			2730010	2457036	2464417	-	2258228
	-A22A	Ultimate	1451109			2730010	2457036	2464417	2466035	2258227
UNT0100MZD	-A21A	Plus	1451089			2730010	2457036	2464417	-	-
	-A22A	Ultimate	1451089			2730010	2457036	2464417	2466035	-

- Application: LBP
- Refrigerant: R404A

Condensing Unit Model	Version		Compressor Model	Relay	Run Cap	Start Cap	Overload	Suction Valve	Liquid Valve	Condenser
UNE0020LGG	-A11A	Bare	NEK2121GK	2271137	-	2252230	2321153	2110142	2110140	2451253
	-A21A	Plus	NEK2121GK	2271137	-	2252230	2321153	2110142	2110140	2451253
	-A22A	Ultimate	NEK2121GK	2271137	-	2252230	2321153	2110142	2110140	2451253
UNE0033LGE	-A21A	Plus	NEU2140GK	2271121	-	2252325	2324009	2110142	2110140	2451253
	-A22A	Ultimate	NEU2140GK	2271121	-	2252325	2324009	2110142	2110140	2451253
UNE0033LGB	-A21A	Plus	NEU2140GK	2271121	-	2252325	2324009	2110142	2110140	2451253
	-A22A	Ultimate	NEU2140GK	2271121	-	2252325	2324009	2110142	2110140	2451253
UNE0060LGE	-A21A	Plus	NEU2168GK	1253069	2253314	2252374	2321157	2110143	2110142	2451255
	-A22A	Ultimate	NEU2168GK	1253069	2253314	2252374	2321157	2110143	2110142	2451255
UNE0060LGD	-A21A	Plus	NEU2168GK	1253069	2253314	2252374	2321157	2110143	2110142	2451255
	-A22A	Ultimate	NEU2168GK	1253069	2253314	2252374	2321157	2110143	2110142	2451255
UNE0075LGE	-A21A	Plus	NEU2178GK	1253069	2253321	2252331	2321159	2110143	2110142	2451255
	-A22A	Ultimate	NEU2178GK	1253069	2253321	2252331	2321159	2110143	2110142	2451255
UNE0075LGD	-A21A	Plus	NEU2178GK	1253069	2253321	2252331	2321159	2110143	2110142	2451255
	-A22A	Ultimate	NEU2178GK	1253069	2253321	2252331	2321159	2110143	2110142	2451255
UNTO090LGE	-A21A	Plus	NT2180GK	1253050	2253315	2252273	2291062	2110143	2110049	2451256
	-A22A	Ultimate	NT2180GK	1253050	2253315	2252273	2291062	2110143	2110049	2451256
UNTO090LGD	-A21A	Plus	NT2180GK	1253050	2253315	2252273	2291062	2110143	2110049	2451256
	-A22A	Ultimate	NT2180GK	1253050	2253315	2252273	2291062	2110143	2110049	2451256
UNTO100LGG	-A21A	Plus	NT2192GK	1253001	2253315	2252273	2295004	2110143	2110049	2451256
	-A22A	Ultimate	NT2192GK	1253001	2253315	2252273	2295004	2110143	2110049	2451256
UNTO100LGD	-A21A	Plus	NT2192GK	1253001	2253315	2252273	2295004	2110143	2110049	2451256
	-A22A	Ultimate	NT2180GK	1253050	2253315	2252273	2291062	2110143	2110049	2451256
UNTO125LGD	-A21A	Plus	NT2212GK	1253019	2253313	2252274	Internal	2110143	2110049	2451256
	-A22A	Ultimate	NT2212GK	1253019	2253313	2252274	Internal	2110143	2110049	2451256

- Application: LBP
- Refrigerant: R404A

Condensing Unit Model	Version		Fan Motor	Fan Blade	Fan Guard	Filter Drier*	Receiver*	Sight Glass*	Pressure Switch**	Power Cord***
UNE0020LGG	-A11A	Bare	1450118	2455008	2458034	-	-	-	-	2258226
	-A21A	Plus	1450118	2455008	2458034	2730021	2457070	2464416	-	2258226
	-A22A	Ultimate	1450118	2455008	2458034	2730021	2457070	2464416	2466035	2258226
UNE0033LGE	-A21A	Plus	1450118	2455008	2458034	2730021	2457070	2464416	-	2258226
	-A22A	Ultimate	1450118	2455008	2458034	2730021	2457070	2464416	2466035	2258226
UNE0033LGB	-A21A	Plus	1450119	2455008	2458034	2730021	2457070	2464416	-	-
	-A22A	Ultimate	1450119	2455008	2458034	2730021	2457070	2464416	2466035	-
UNE0060LGE	-A21A	Plus	1450116	2455003	2458035	2730010	2457071	2464417	-	2258071
	-A22A	Ultimate	1450116	2455003	2458035	2730010	2457071	2464417	2466035	2258226
UNE0060LGD	-A21A	Plus	1450117	2455003	2458035	2730010	2457071	2464417	-	-
	-A22A	Ultimate	1450117	2455003	2458035	2730010	2457071	2464417	2466035	-
UNE0075LGE	-A21A	Plus	1450116	2455003	2458035	2730010	2457071	2464417	-	2258071
	-A22A	Ultimate	1450116	2455003	2458035	2730010	2457071	2464417	2466035	2258226
UNE0075LGD	-A21A	Plus	1450117	2455003	2458035	2730010	2457071	2464417	-	-
	-A22A	Ultimate	1450117	2455003	2458035	2730010	2457071	2464417	2466035	-
UNTO090LGE	-A21A	Plus	1450116	2455003	2458035	2730010	2457036	2464417	-	2258228
	-A22A	Ultimate	1450116	2455003	2458035	2730010	2457036	2464417	2466035	2258227
UNTO090LGD	-A21A	Plus	1450117	2455003	2458035	2730010	2457036	2464417	-	-
	-A22A	Ultimate	1450117	2455003	2458035	2730010	2457036	2464417	2466035	-
UNTO100LGG	-A21A	Plus	1450116	2455003	2458035	2730010	2457036	2464417	-	2258228
	-A22A	Ultimate	1450116	2455003	2458035	2730010	2457036	2464417	2466035	2258227
UNTO100LGD	-A21A	Plus	1450117	2455003	2458035	2730010	2457036	2464417	-	-
	-A22A	Ultimate	1450117	2455003	2458035	2730010	2457036	2464417	2466035	-
UNTO125LGD	-A21A	Plus	1450117	2455003	2458035	2730010	2457036	2464417	-	-
	-A22A	Ultimate	1450117	2455003	2458035	2730010	2457036	2464417	2466035	-

- Application: MBP
- Refrigerant: R404A

Condensing Unit Model	Version		Compressor Model	Relay	Run Cap	Start Cap	Overload	Suction Valve	Liquid Valve	Condenser
UNE0025MGE	-A11A	Bare	NEU6181GK	2271156	-	2252324	2324051	2110142	2110140	2451254
	-A21A	Plus	NEU6181GK	2271156	-	2252324	2324051	2110142	2110140	2451254
UNE0025MGG	-A11A	Bare	NEK6152GK	2271126	-	2252282	2324110	2110142	2110140	2451253
UNE0033MGE	-A11A	Bare	NEU6210GK	2271116	-	2252324	2324063	2110142	2110140	2451254
	-A21A	Plus	NEU6210GK	2271116	-	2252324	2324063	2110142	2110140	2451254
	-A22A	Ultimate	NEU6210GK	2271116	-	2252324	2324063	2110142	2110140	2451254
UNE0040MGE	-A11A	Bare	NEU6212GK	2271116	-	2252324	2324113	2110142	2110140	2451254
	-A21A	Plus	NEU6212GK	2271116	-	2252324	2324113	2110142	2110140	2451254
	-A22A	Ultimate	NEU6212GK	2271116	-	2252324	2324113	2110142	2110140	2451254
UNE0050MGE	-A11A	Bare	NEU6214GK	1253017	2253313	2252331	2321160	2110143	2110142	2451254
	-A21A	Plus	NEU6214GK	1253017	2253313	2252331	2321160	2110142	2110142	2451254
	-A22A	Ultimate	NEU6214GK	1253017	2253313	2252331	2321160	2110143	2110142	2451254
UNE0060MGE	-A21A	Plus	NEU6215GK	1253069	2253314	2252288	2321115	2110143	2110142	2451255
	-A22A	Ultimate	NEU6215GK	1253069	2253314	2252288	2321115	2110143	2110142	2451255
UNE0060MGD	-A21A	Plus	NEU6215GK	1253069	2253314	2252288	2321115	2110143	2110142	2451255
	-A22A	Ultimate	NEU6215GK	1253069	2253314	2252288	2321115	2110143	2110142	2451255
UNTO065MGG	-A21A	Plus	NT6220GKV	1253015	2253310	2252270	2321091	2110143	2110049	2451256
	-A22A	Ultimate	NT6220GKV	1253015	2253310	2252270	2321091	2110143	2110049	2451256
UNTO065MGD	-A21A	Plus	NT6220GKV	1253015	2253310	2252270	2321091	2110143	2110049	2451256
	-A22A	Ultimate	NT6220GKV	1253015	2253310	2252270	2321091	2110143	2110049	2451256
UNTO075MGG	-A21A	Plus	NT6222GKV	1253050	2253315	2252331	Internal	2110143	2110049	2451256
	-A22A	Ultimate	NT6222GKV	1253050	2253315	2252331	Internal	2110143	2110049	2451256
UNTO075MGD	-A21A	Plus	NT6222GKV	1253050	2253315	2252331	Internal	2110143	2110049	2451256
	-A22A	Ultimate	NT6222GKV	1253050	2253315	2252331	Internal	2110143	2110049	2451256
UNTO100MGG	-A21A	Plus	NTU6232GKV	1253015	2253313	2252271	Internal	2110141	2110049	2451257
	-A22A	Ultimate	NTU6232GKV	1253015	2253313	2252271	Internal	2110141	2110049	2451257
UNTO100MGD	-A21A	Plus	NTU6232GKV	1253015	2253313	2252271	Internal	2110141	2110049	2451257
	-A22A	Ultimate	NTU6232GKV	1253015	2253313	2252271	Internal	2110141	2110049	2451257
UNTO140MGD	-A21A	Plus	NTU6240GKV	1253015	2253314	2252271	Internal	2110141	2110049	2451257
	-A22A	Ultimate	NTU6240GKV	1253015	2253314	2252271	Internal	2110141	2110049	2451257

- Application: MBP
- Refrigerant: R404A

Condensing Unit Model	Version		Fan Motor	Fan Blade	Fan Guard	Filter Drier*	Receiver*	Sight Glass*	Pressure Switch**	Power Cord***
UNE0025MGE	-A11A	Bare	1450116	2455003	2458035	-	-	-	-	2258226
	-A21A	Plus	1450116	2455003	2458035	2730021	2457070	2464416	-	2258226
UNE0025MGG	-A11A	Bare	1450118	2455008	2458034	-	-	-	-	2258226
UNE0033MGE	-A11A	Bare	1450116	2455003	2458035	-	-	-	-	2258226
	-A21A	Plus	1450116	2455003	2458035	2730021	2457070	2464416	-	2258226
	-A22A	Ultimate	1450116	2455003	2458035	2730021	2457070	2464416	2466035	2258226
UNE0040MGE	-A11A	Bare	1450116	2455003	2458035	-	-	-	-	2258226
	-A21A	Plus	1450116	2455003	2458035	2730021	2457070	2464416	-	2258226
	-A22A	Ultimate	1450116	2455003	2458035	2730021	2457070	2464416	2466035	2258226
UNE0050MGE	-A11A	Bare	1450116	2455003	2458035	-	-	-	-	2258071
	-A21A	Plus	1450116	2455003	2458035	2730010	2457070	2464417	-	2258071
	-A22A	Ultimate	1450116	2455003	2458035	2730010	2457070	2464417	2466035	2258226
UNE0060MGE	-A21A	Plus	1450116	2455003	2458035	2730010	2457071	2464417	-	2258228
	-A22A	Ultimate	1450116	2455003	2458035	2730010	2457071	2464417	2466035	2258227
UNE0060MGD	-A21A	Plus	1450117	2455003	2458035	2730010	2457071	2464417	-	-
	-A22A	Ultimate	1450117	2455003	2458035	2730010	2457071	2464417	2466035	-
UNT0065MGG	-A21A	Plus	1450116	2455003	2458035	2730010	2457036	2464417	-	2258228
	-A22A	Ultimate	1450116	2455003	2458035	2730010	2457036	2464417	2466035	2258227
UNT0065MGD	-A21A	Plus	1450117	2455003	2458035	2730010	2457036	2464417	-	-
	-A22A	Ultimate	1450117	2455003	2458035	2730010	2457036	2464417	2466035	-
UNT0075MGG	-A21A	Plus	1450116	2455003	2458035	2730010	2457036	2464417	-	2258228
	-A22A	Ultimate	1450116	2455003	2458035	2730010	2457036	2464417	2466035	2258227
UNT0075MGD	-A21A	Plus	1450117	2455003	2458035	2730010	2457036	2464417	-	-
	-A22A	Ultimate	1450117	2455003	2458035	2730010	2457036	2464417	2466035	-
UNT0100MGG	-A21A	Plus		1451109		2730010	2457036	2464417	-	2258228
	-A22A	Ultimate		1451109		2730010	2457036	2464417	2466035	2258227
UNT0100MGD	-A21A	Plus		1451089		2730010	2457036	2464417	-	-
	-A22A	Ultimate		1451089		2730010	2457036	2464417	2466035	-
UNT0140MGD	-A21A	Plus		1451089		2730010	2457036	2464417	-	-
	-A22A	Ultimate		1451089		2730010	2457036	2464417	2466035	-

- Ultimate Compact
- Application: MBP
- Refrigerant: R404A

Condensing Unit Model	Version		Compressor Model	Relay	Run Cap	Start Cap	Overload	Suction Valve	Liquid Valve	Condenser
UNTO050MGG	-A32A	Ultimate Compact	NT6220GKV	1253015	2253310	2252270	2321091	2110143	2110142	2451269
UNTO050MGD	-A32A	Ultimate Compact	NT6220GKV	1253015	2253310	2252270	2321091	2110143	2110142	2451269
UNTO100MGG	-A32A	Ultimate Compact	NTU6232GKV	1253015	2253313	2252271	Internal	2110141	2110142	2451270
UNTO100MGD	-A32A	Ultimate Compact	NTU6232GKV	1253015	2253313	2252271	Internal	2110141	2110142	2451270
UNTO125MGD	-A32A	Ultimate Compact	NTU6240GKV	1253015	2253314	2252271	Internal	2110141	2110049	2451271

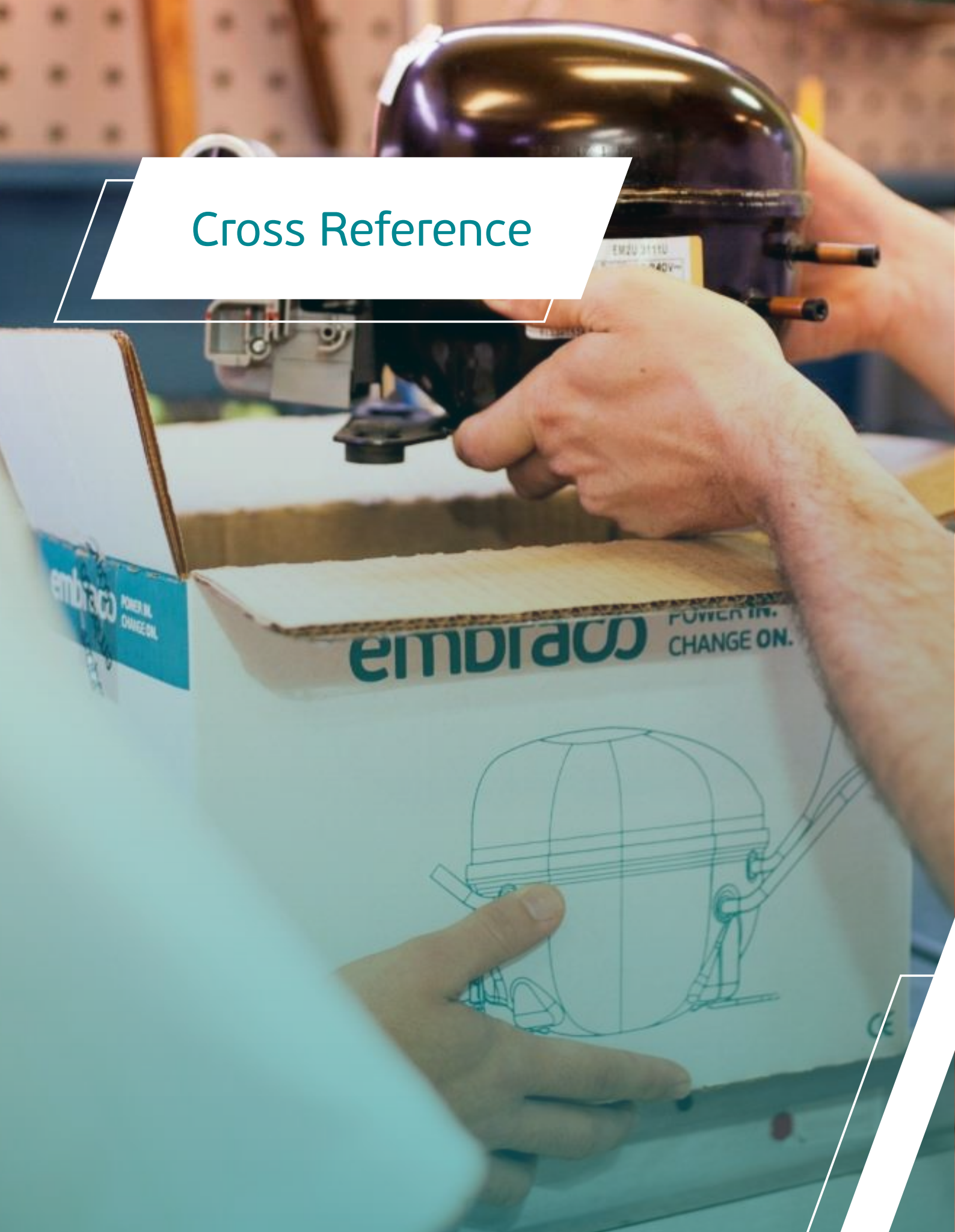
Condensing Unit Model	Version		Fan Motor	Fan Blade	Fan Guard	Filter Drier*	Receiver*	Sight Glass*	Pressure Switch**	Power Cord***
UNTO050MGG	-A32A	Ultimate Compact	1450118	2455008	2458034	2730010	2457071	2464417	2466035	2258227
UNTO050MGD	-A32A	Ultimate Compact	1450119	2455008	2458034	2730010	2457071	2464417	2466035	-
UNTO100MGG	-A32A	Ultimate Compact	1450116	2455003	2458035	2730010	2457071	2464417	2466035	2258227
UNTO100MGD	-A32A	Ultimate Compact	1450117	2455003	2458035	2730010	2457071	2464417	2466035	-
UNTO125MGD	-A32A	Ultimate Compact	1450117	2455003	2458035	2730010	2457036	2464417	2466035	-

* For plus and ultimate versions only.

** For ultimate version only.

*** For 115-127V units only.

Cross Reference



Cross Reference

R -134a 115V 60 Hz

Brand	Version	1/10HP	1/5HP	1/4HP	1/3HP	2/5HP	1/2HP	3/5HP	1HP
		0.10HP	0.20HP	0.25HP	0.33HP	0.40HP	0.50HP	0.60HP	1HP
		FFU80HAX	FF10HBX	FFU130HAX	FFU160HAX	NEU6212Z	NEU6214Z	NT6220Z	NTU6224ZV
EMBRACO	Bare	UFF0010XZE-A11A	UFF0020XZG-A11A	UFF0025XZE-A11A	UFF0033XZE-A11A	-	-	-	-
	Plus	UFF0010XZE-A21A	UFF0020XZG-A21A	UFF0025XZE-A21A	UFF0033XZE-A21A	UNE0045MZE-A21A	UNE0050MZE-A21A	UNT0060MZG-A21A	UNT0100MZG-A21A
	Ultimate	-	-	-	UFF0033XZE-A22A	UNE0045MZE-A22A	UNE0050MZE-A22A	UNT0060MZG-A22A	UNT0100MZG-A22A
TECUMSEH	S	AE3425Y-AA1ASS	AE4430Y-AA1ASS	AE4440Y-AA1ASS	-	-	-	-	-
	C	THB0410YXASC	AE4430Y-AA1ASC	AE4440Y-AA1ASC	-	AE4450Y-AA1ADC	AKA4457YAADC	AJA4480YAADC	-

R -134a 220V 60 Hz

Brand	Version	1/3 HP	2/5 HP	1/2HP	3/4 HP	1HP
		0.33 HP	0.40 HP	0.50HP	.75 HP	1HP
		FFU160HAX	NEU6212Z	NEU6214Z	NT6220Z	NTU6224ZV
EMBRACO	Bare	UFF0033XZD-A11A		UNE0050MZD-A11A	-	UNT0100MZD-A11A
	Plus	UFF0033XZD-A21A	UNE0045MZB-A21A	UNE0050MZD-A21A	UNT0060MZD-A21A	UNT0100MZD-A21A
	Ultimate	UFF0033XZD-A22A	UNE0045MZB-A22A	-	-	-
TECUMSEH	S	-	-	AKA4457DS2	-	AJA4512ANA
	C	-	-	AJA7444DC2	AJA4480YAADC	AJA4512ANA

R404a 115V 60 Hz

Brand	Version	1/5 HP	1/3 HP	2/3 HP	3/4 HP	9/10 HP	1 HP
		0.20 HP	0.33 HP	0.60 HP	0.75 HP	0.90 HP	1 HP
		NEK2121GK	NEU2140GK	NEU2168GK	NEU2178GK	NT2180GK	NT2192GK
EMBRACO	Bare	UNE0020LGG-A11A	-	-	-	-	-
	Plus	UNE0020LGG-A21A	UNE0033LGE-A21A	UNE0060LGE-A21A	UNE0075LGE-A21A	UNT0090LGE-A21A	UNT0100LGG-A21A
	Ultimate	UNE0020LGG-A22A	UNE0033LGE-A22A	UNE0060LGE-A22A	UNE0075LGE-A22A	UNT0090LGE-A22A	UNT0100LGG-A22A
TECUMSEH	S	-	-	-	-	-	-
	C	-	-	AJA2423ZAADC	AKA2430ZAADC	-	AJB2439ZAADC

Brand	Version	1/4 HP	1/3 HP	2/5 HP	1/2 HP	2/3 HP	2/3 HP	3/4 HP	1 HP
		0.25 HP	0.33 HP	0.40 HP	0.50 HP	0.60 HP	0.66 HP	0.75 HP	1 HP
		NEU6181GK	NEU6210GK	NEU6212GK	NEU6214GK	NEU6215GK	NT6220GKV	NT6222GKV	NTU6232GKV
EMBRACO	Bare	UNE0025MGE-A11A	UNE0033MGE-A11A	UNE0040MGE-A11A	UNE0050MGE-A11A	-	-	-	-
	Plus	UNE0025MGE-A21A	UNE0033MGE-A21A	UNE0040MGE-A21A	UNE0050MGE-A21A	UNE0060MGE-A21A	UNT0065MGG-A21A	UNT0075MGG-A21A	UNT0100MGG-A21A
	Ultimate	-	UNE0033MGE-A22A	UNE0040MGE-A22A	UNE0050MGE-A22A	UNE0060MGE-A22A	UNT0065MGG-A22A	UNT0075MGG-A22A	UNT0100MGG-A22A
TECUMSEH	S	-	-	-	-	-	-	-	-
	C	-	-	AKA9430ZAADC	-	AKA9442ZAADC	-	AKA9463ZAADC	-

R404a 220V 60 Hz

Brand	Version	1/3 HP	3/5 HP	3/4 HP	7/8 HP	1 HP	1 1/4 HP
		0.33 HP	0.60 HP	0.75 HP	0.9 HP	1.00 HP	1.25 HP
		NEU2140GK	NEU2168GK	NEU2178GK	NT2180GK	NT2192GK	NT2212GK
EMBRACO	Bare	-	-	-	-	-	-
	Plus	UNE0033LGB - A21A	UNE0060LGD-A21A	UNE0075LGD-A21A	UNT0090LGD-A21A	UNT0100LGD-A21A	UNT0125LGD-A21A
	Ultimate	UNE0033LGB-A22A	UNE0060LGD-A22A	UNE0075LGD-A22A	UNT0090LGD-A22A	UNT0100LGD-A22A	UNT0125LGD-A22A
TECUMSEH	S	-	-	-	-	-	-
	C	-	AJA2423ZAADC	AKA2430ZAADC	AJB2439ZAADC	-	-

Brand	Version	3/5 HP	5/8 HP	3/4 HP	1 HP	1 2/5 HP
		0.60 HP	0.65 HP	0.75 HP	1.00 HP	1.40 HP
		NEU6215GK	NT6220GKV	NT6222GKV	NTU6232GKV	NTU6240GKV
EMBRACO	Bare	-	-	-	-	-
	Plus	UNE0060MGD-A21A	UNT0065MGD-A21A	UNT0075MGD-A21A	UNT0100MGD-A21A	UNT0140MGD-A21A
	Ultimate	UNE0060MGD-A22A	UNT0065MGD-A22A	UNT0075MGD-A22A	UNT0100MGD-A22A	UNT0140MGD-A22A
TECUMSEH	S	-	-	AKA9461ENA**	-	-
	C	-	-	AKA9461ENA**	-	-

embraco

Nidec



Embraco Product Selector



Embraco Toolbox App

www.embraco.com