

EM High Starting Torque (HST) compressors

from 4cc to 9.5cc in Propane

May, 2022

embraco
Nidec



EM High Starting Torque (HST) compressors from 4cc to 9.5cc in Propane

 Monterrey, MX



Commercial
Appliances



The well-known, robust, and high efficiency EMC is now being developed in a high starting torque version, designed to support the most severe conditions in Food Service segment



Strategic location: Expanding the portfolio available near main **Food Service customers**



Product improvement: platform evolution with more efficiency and compact size

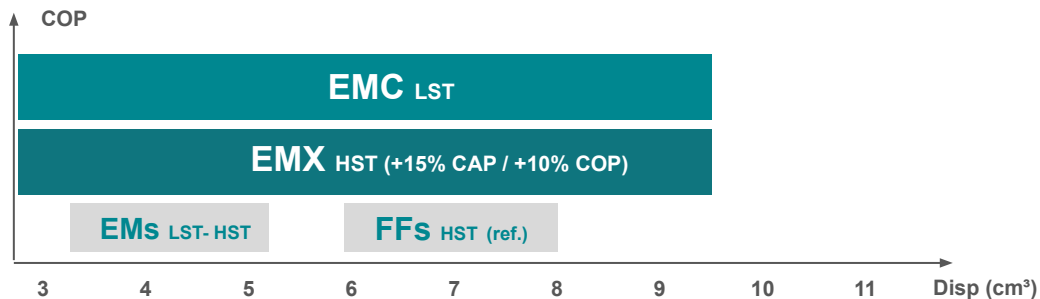


Leverage the supply of new components with our current solid supply network from North America, mitigating global transportation risks

Improvement of low displacement HST compressors in R290



Platform positioning



Key applications targeted



Project main characteristics

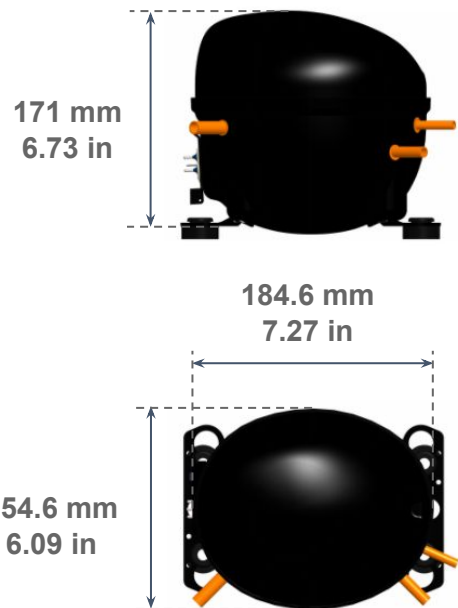
Capacity	Up to 1548 Btu/h (+15% vs. FFs)
COP	Avg. +10% gain vs. FFs (R290)
Application	LMBP: -31 to +32F // -35 to +0C
Power supply	115V-127V 60Hz 1ph
Refrigerants	R290
Motor configuration	CSIR - HST
Institutes	UL

EMX HST - line up

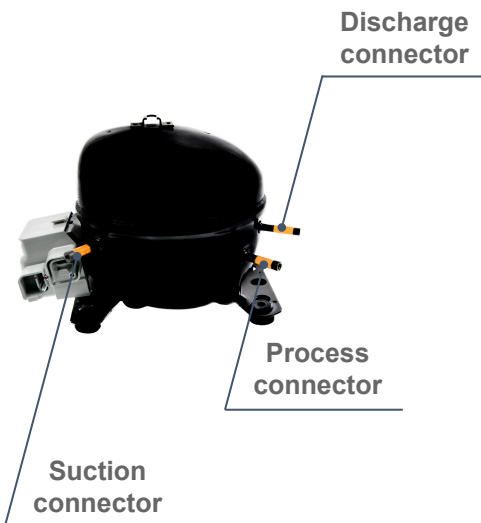
6 models from 4.0 - 9.5 cc

Model	Applic.	Nominal Voltage [V] / Frequency [Hz]	Disp [cc]	Motor	Refrigerant	Envelope Range [°F]	Test Condition	60Hz	
								CAP Btu/ h	COP [btu/Wh]
EMX4115U	L/MBP	115-127V 60Hz	3.97	CSIR	R290	-31 to 32	ARILBP 60Hz	626	4.79
EMX4121U	L/MBP	115-127V 60Hz	5.19	CSIR	R290	-31 to 32	ARILBP 60Hz	845	4.85
EMX4125U	L/MBP	115-127V 60Hz	5.89	CSIR	R290	-31 to 32	ARILBP 60Hz	970	4.82
EMX4130U	L/MBP	115-127V 60Hz	6.92	CSIR	R290	-31 to 32	ARILBP 60Hz	1129	4.7
EMX4134U	L/MBP	115-127V 60Hz	7.95	CSIR	R290	-31 to 32	ARILBP 60Hz	1313	4.54
EMX4140U	L/MBP	115-127V 60Hz	9.5	CSIR	R290	-31 to 32	ARILBP 60Hz	1548	4.51

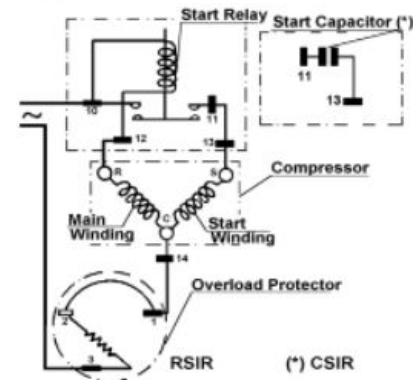
Overall Dimensions



Connector Position



Wiring Diagrams

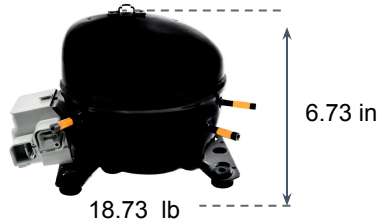


Compressor Terminals

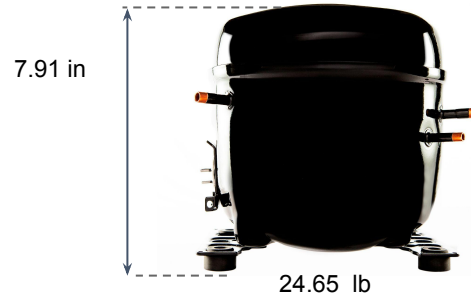
- C = Common
- R = Run
- S = Start

Electrical components are supplied unassembled. Use of components other than specified will void warranty.

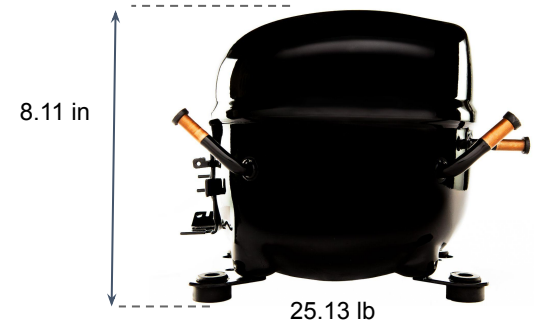
Dimensions



EMX
Series



F
Series



NE
Series

EMX is up to 17% shorter than Embraco's NE Series with enough power and capacity to replace NEs & Fs.

EMX HST - additional information

Embraco Cross Reference

Model	Applic.	Nominal Voltage [V] / Frequency [Hz]	Disp [cc]	Motor	Refrigerant	Envelope Range [°F]	Test Condition	60Hz		Embraco LST Cross	Secop Cross	Tecumseh Cross
								CAP Btu/ h	COP [btu/Wh]			
EMX4115U	L/MBP	115-127V 60Hz	3.97	CSIR	R290	-31 to 32	ARILBP 60Hz	626	4.79	EMX3115U	DLE4CN	TCX380U
EMX4121U	L/MBP	115-127V 60Hz	5.19	CSIR	R290	-31 to 32	ARILBP 60Hz	845	4.85	EMC3121U	DLE4.8CN	TCX410U
EMX4125U	L/MBP	115-127V 60Hz	5.89	CSIR	R290	-31 to 32	ARILBP 60Hz	970	4.82	EMC3125U	DLE5.7CN	TCX413U
EMX4130U	L/MBP	115-127V 60Hz	6.92	CSIR	R290	-31 to 32	ARILBP 60Hz	1129	4.7	EMC3130U	DLE6.5CN	TCX415U
EMX4134U	L/MBP	115-127V 60Hz	7.95	CSIR	R290	-31 to 32	ARILBP 60Hz	1313	4.54	EMC3134U	NLE8CN	AEX417U
EMX4140U	L/MBP	115-127V 60Hz	9.5	CSIR	R290	-31 to 32	ARILBP 60Hz	1548	4.51	EMC3140U	NLE10CN	AEX419U