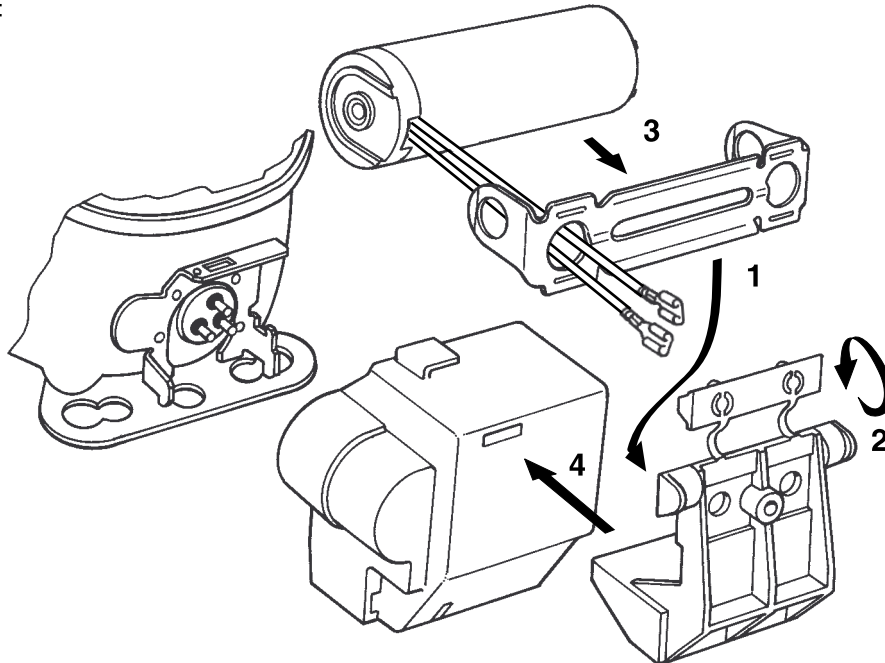


In order to facilitate the capacitor attachment in Embraco compressors, it has been developed a capacitor holder (clip).

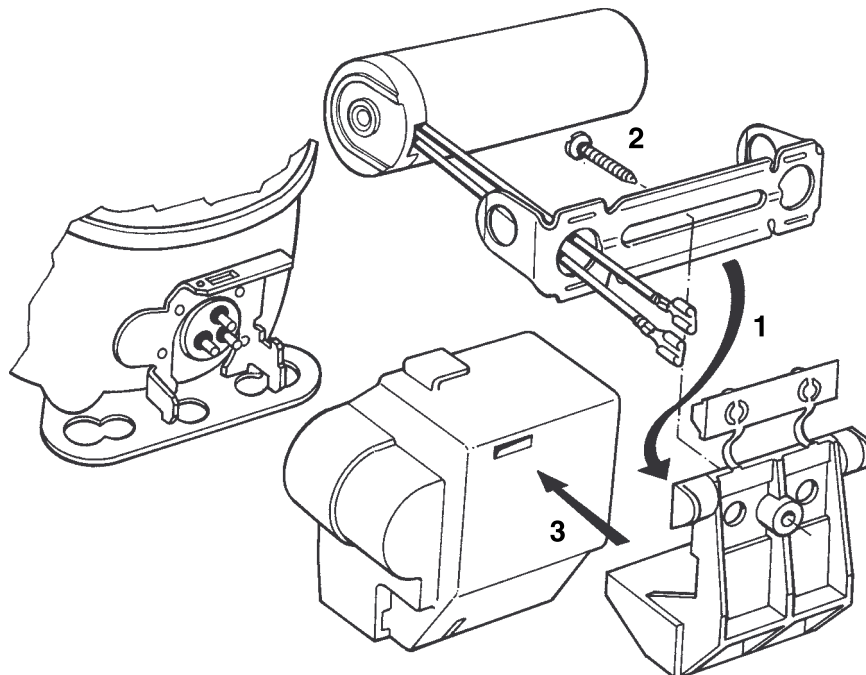
The installation of this device is easy and safe.

Designed for using the least possible space, the holder is installed on the relay cover or on the terminal board and allows different ways of fixing the capacitor, as detailed below:

Recommended option:

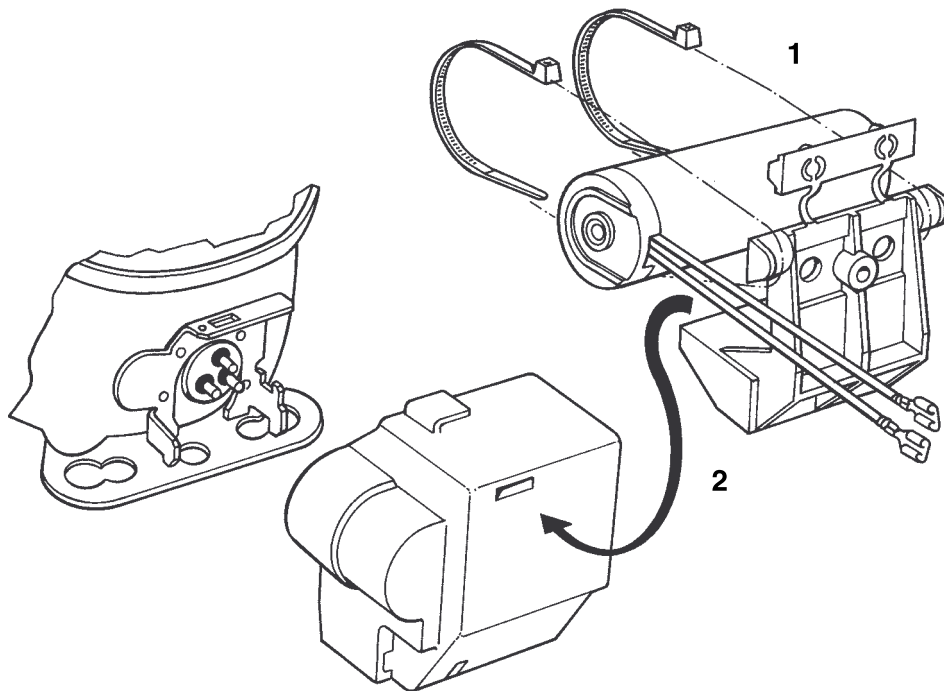


Alternative A:



Note: Screw M3.5 x 1.6 x 20 (DIN 7983 - DIN 7970)

Alternative B (only valid for capacitors with length equal or superior to 70 mm):



Note: T50R (MIL-5-23190) INSULOK Clasp

#### HOLDER TECHNICAL CHARACTERISTICS

Material: Poliamida 6.6 (UL 94V-2)

Weight: 15 g

Capacitor Maximum Diameter: 45 mm

**Note:** After replacement, the compressor and it's accessories must have proper processing, and the components must be recycled according to the material group (ferrous, non-ferrous, polymers, oils, ...) directives. These recommendations are intended to minimize the adverse impacts that may be caused to the environment.

Embraco is participating in the United Nations Global Compact.